

AT-1936 · ASH URNS

Camelot Ash-Trash Receptacle



BUILT TO ORDER
 Every model is a starting point. Modify size, finish, mounting, and branding to suit the site.

STANDARD CONFIGURATION

Dimensions configured to order.

MATERIALS & CONSTRUCTION

- Laser-cut and formed steel, fully welded.
- Fabricated under one roof in Roanoke, Virginia.
- Multi-stage marine-grade powder-coat finish.

CUSTOMIZE

- Size** Lengths, depths, and back height built to the dimension you specify.
- Finish** Any powder-coat color - 34 standard options, plus custom match.
- Mounting** Surface mount, Freestanding / portable.
- Branding** Laser-cut logos, plaques, and donor recognition integrated into the piece.

ANCHORING & ORDER CODES

- Surface mount **AT-1936-SM**
 Freestanding / portable **AT-1936-FS**

WARRANTY

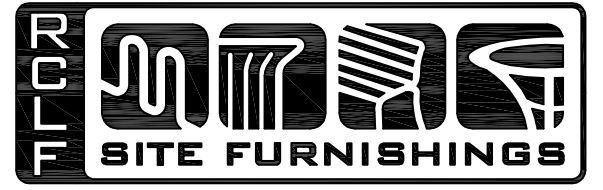
Frame warranted against structural defect; powder-coat finish warranted against failure under normal public-realm use. Full terms on request.

POWDER-COAT FINISHES

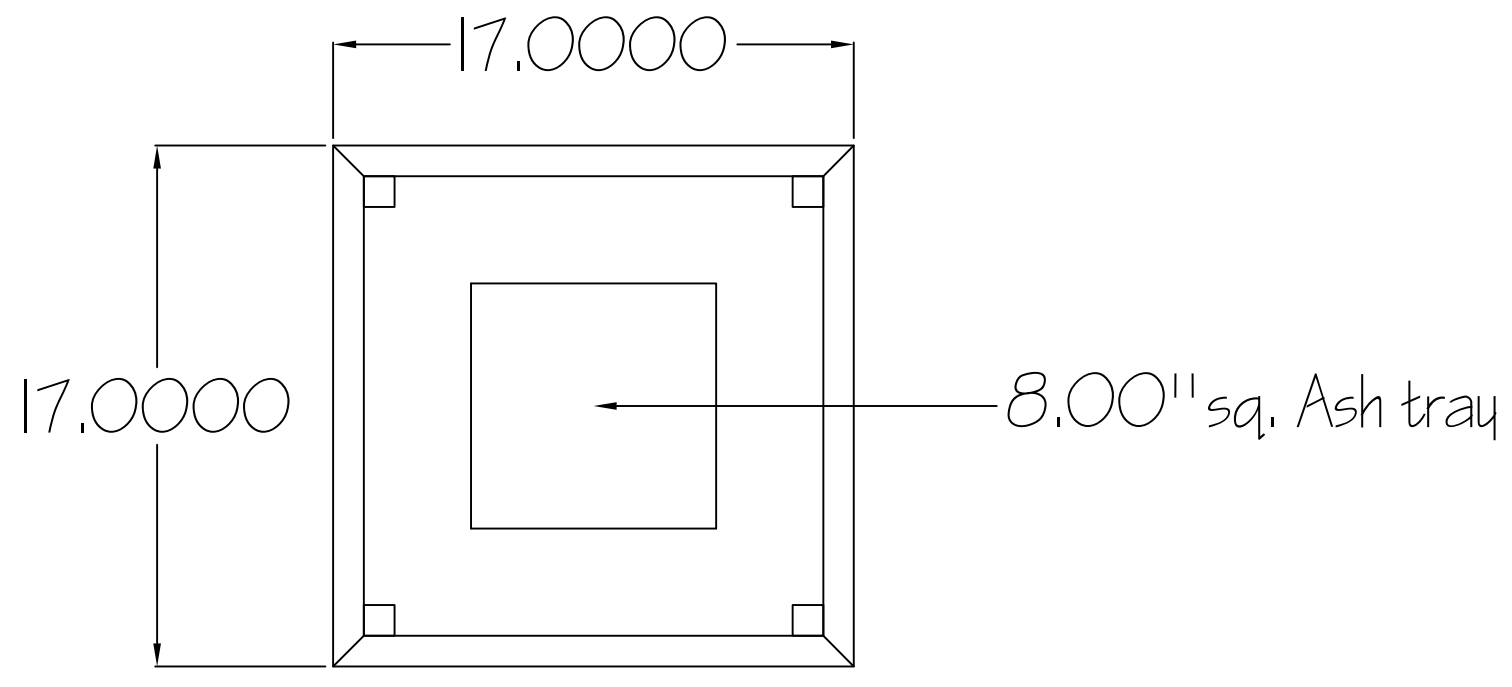
34 standard colors · custom RAL match available

- | | | | | |
|-----------------|----------------------|--------------------|--------------------|-------------------|
| ■ Black Peel | ■ Black Texture | ■ Cappuccino | ■ Cargo Black | ■ Chocolate Brown |
| ■ Claret-Violet | ■ Classic Grey | ■ Cobalt Blue | ■ Light Ivory | ■ Fence Red |
| ■ Fir Green | ■ Green-Blue | ■ Gun Metal | ■ Glossy White | ■ Java |
| ■ Lemon Yellow | ■ Light Blue | ■ Luna | ■ Mineral Bronze | ■ Nut Brown |
| ■ Olive Patina | ■ Oxblood | ■ Pastel Turquoise | ■ Poly Silver Vein | ■ Red Letter |
| ■ Rust | ■ Silver Hammerstone | ■ Safety Yellow | ■ Star Dust | ■ Sulfur Yellow |
| ■ Traffic Gray | ■ Verdi | ■ Water Blue | ■ White Peel | |

sales order 0000		Custom Ash/ Trash Receptacle	date 10/10/14
item 0000		N ^o . AT-1436	scale N.T.S
finish	TBD	<input type="checkbox"/> approved <input type="checkbox"/> approved as noted <input type="checkbox"/> not approved revise as noted	
PHONE 540.342.1548 FAX 540.342.1417 WEB RCLFINC.COM			



Top View



Front Elevation

