

B-1422B · BENCHES

Bench 1422B



STANDARD CONFIGURATION

Dimensions configured to order.

MATERIALS & CONSTRUCTION

- Laser-cut and formed steel, fully welded.
- Fabricated under one roof in Roanoke, Virginia.
- Multi-stage marine-grade powder-coat finish.

BUILT TO ORDER

Every model is a starting point. Modify size, finish, mounting, and branding to suit the site.

CUSTOMIZE

- Size** Lengths, depths, and back height built to the dimension you specify.
- Finish** Any powder-coat color, standard or custom match.
- Mounting** Surface, in-ground, or freestanding.
- Branding** Laser-cut logos, plaques, and donor recognition integrated into the piece.

WARRANTY

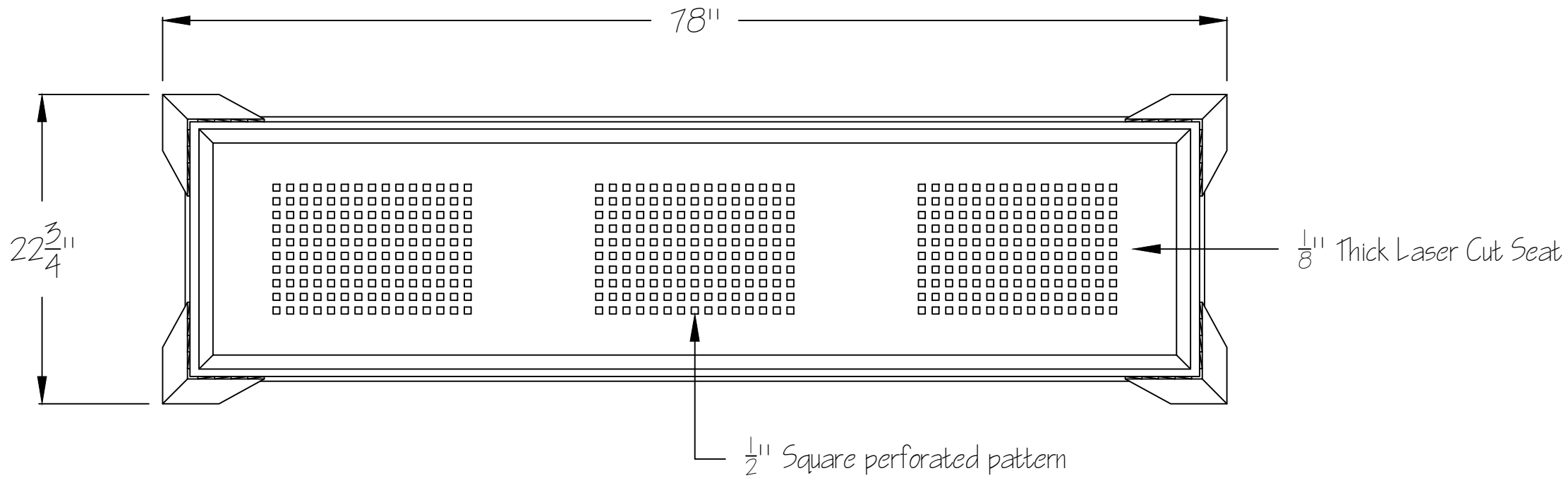
Frame warranted against structural defect; powder-coat finish warranted against failure under normal public-realm use. Full terms on request.

sales order 10573-F
 item 0000
 finish TBD
 PHONE 540.342.1548 FAX 540.342.1417
 WEB RCLFING.COM

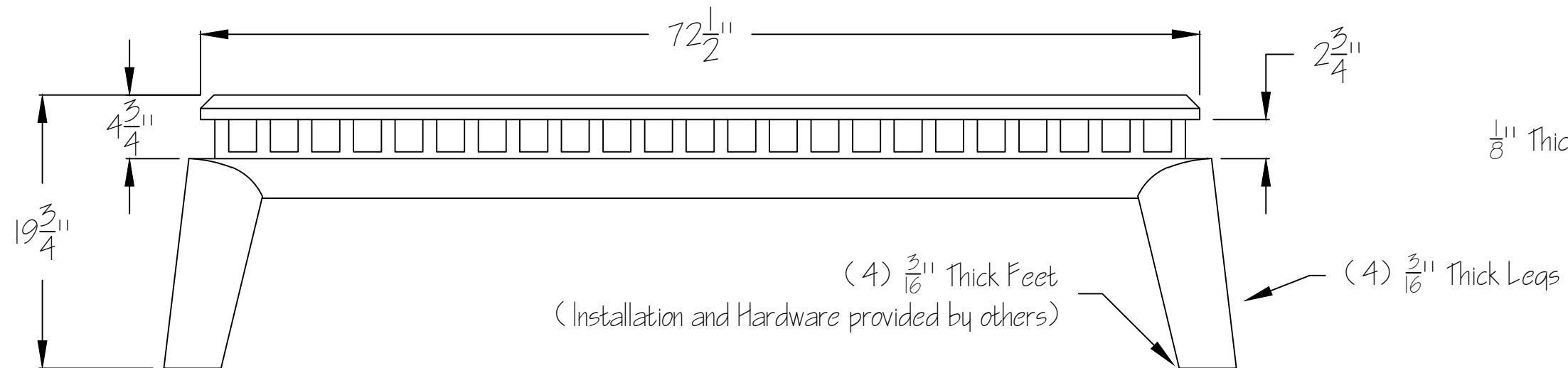
Custom Bench
 Date 9/2/14
 No. B-1422-6-FS
 Scale 3/32"=1"
 approved
 approved as noted
 not approved revise as noted



Top View



Front View



Side View

