

B-1433 · BENCHES

Pendulum Bench



BUILT TO ORDER
 Every model is a starting point. Modify size, finish, mounting, and branding to suit the site.

STANDARD CONFIGURATION

Dimensions configured to order.

MATERIALS & CONSTRUCTION

- Laser-cut and formed steel, fully welded.
- Fabricated under one roof in Roanoke, Virginia.
- Multi-stage marine-grade powder-coat finish.

CUSTOMIZE

- Size** Lengths, depths, and back height built to the dimension you specify.
- Finish** Any powder-coat color - 34 standard options, plus custom match.
- Mounting** Surface mount, Freestanding / portable.
- Branding** Laser-cut logos, plaques, and donor recognition integrated into the piece.

ANCHORING & ORDER CODES

- Surface mount **B-1433-SM**
 Freestanding / portable **B-1433-FS**

WARRANTY

Frame warranted against structural defect; powder-coat finish warranted against failure under normal public-realm use. Full terms on request.

POWDER-COAT FINISHES

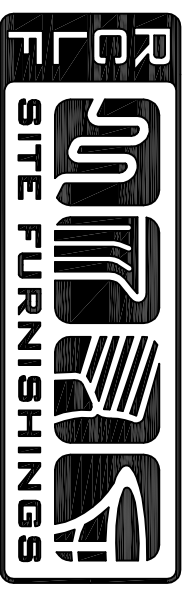
34 standard colors · custom RAL match available

- | | | | | |
|-----------------|----------------------|--------------------|--------------------|-------------------|
| ■ Black Peel | ■ Black Texture | ■ Cappuccino | ■ Cargo Black | ■ Chocolate Brown |
| ■ Claret-Violet | ■ Classic Grey | ■ Cobalt Blue | ■ Light Ivory | ■ Fence Red |
| ■ Fir Green | ■ Green-Blue | ■ Gun Metal | ■ Glossy White | ■ Java |
| ■ Lemon Yellow | ■ Light Blue | ■ Luna | ■ Mineral Bronze | ■ Nut Brown |
| ■ Olive Patina | ■ Oxblood | ■ Pastel Turquoise | ■ Poly Silver Vein | ■ Red Letter |
| ■ Rust | ■ Silver Hammerstone | ■ Safety Yellow | ■ Star Dust | ■ Sulfur Yellow |
| ■ Traffic Gray | ■ Verdi | ■ Water Blue | ■ White Peel | |

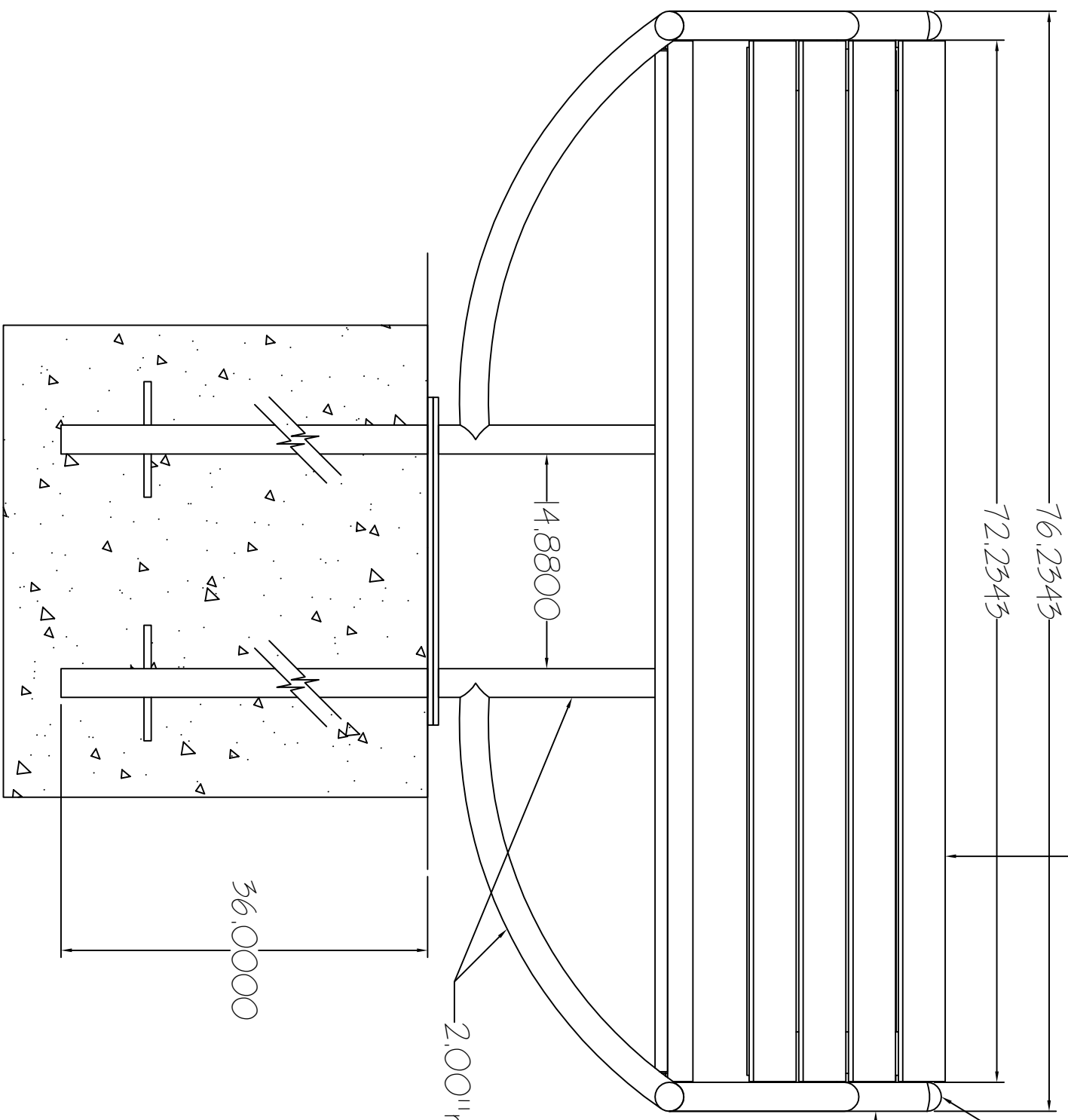
THIS DRAWING IS ONLY A SKETCH. ACTUAL DIMENSIONS ARE SUBJECT TO CHANGE UPON CUSTOMER APPROVAL.

sales order	0000
Item	0000
Finish	TBP
PHONE	540.342.1548 FAX 540.342.1417
WEB	RCLFING.COM

Custom Bench	No. B-1433-6-RPS-1G	Date	1/6/14
<input type="checkbox"/> approved	<input type="checkbox"/> approved as noted	Scale	3/32"=1"
<input type="checkbox"/> not approved revise as noted			



Front Elevation



Recycled plastic slats on bottom & back

Dome caps to cover open tubing ends

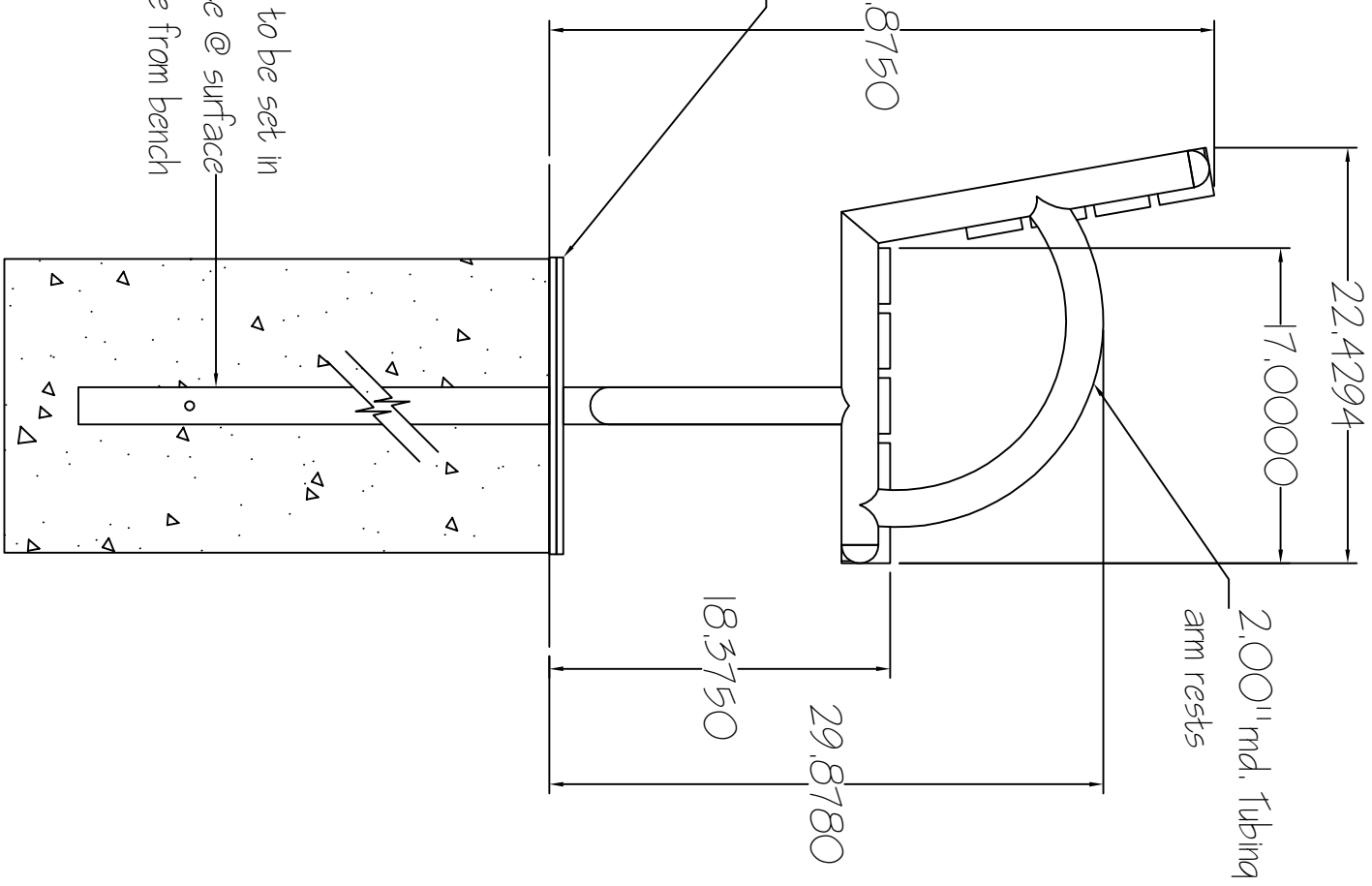
2.00"rd. Tubing Sides

2.00"rd. Tubing supports & uprights

3/8" thk. Base plate to mount to in-ground surface plate

2.00"rd. Tubing post to be set in concrete with mounting plate @ surface to bolt to base plate from bench

Side Elevation



2.00"rd. Tubing arm rests