

B-1454 · BENCHES

# Touchstone Bench



### STANDARD CONFIGURATION

Dimensions configured to order.

### MATERIALS & CONSTRUCTION

- Laser-cut and formed steel, fully welded.
- Fabricated under one roof in Roanoke, Virginia.
- Multi-stage marine-grade powder-coat finish.

### POWDER-COAT FINISHES

- |                 |                      |                    |                    |                   |
|-----------------|----------------------|--------------------|--------------------|-------------------|
| ■ Black Peel    | ■ Black Texture      | ■ Cappuccino       | ■ Cargo Black      | ■ Chocolate Brown |
| ■ Claret-Violet | ■ Classic Grey       | ■ Cobalt Blue      | ■ Light Ivory      | ■ Fence Red       |
| ■ Fir Green     | ■ Green-Blue         | ■ Gun Metal        | ■ Glossy White     | ■ Java            |
| ■ Lemon Yellow  | ■ Light Blue         | ■ Luna             | ■ Mineral Bronze   | ■ Nut Brown       |
| ■ Olive Patina  | ■ Oxblood            | ■ Pastel Turquoise | ■ Poly Silver Vein | ■ Red Letter      |
| ■ Rust          | ■ Silver Hammerstone | ■ Safety Yellow    | ■ Star Dust        | ■ Sulfur Yellow   |
| ■ Traffic Gray  | ■ Verdi              | ■ Water Blue       | ■ White Peel       |                   |

34 standard colors · custom RAL match available

**BUILT TO ORDER**  
 Every model is a starting point. Modify size, finish, mounting, and branding to suit the site.

### CUSTOMIZE

- Size** Lengths, depths, and back height built to the dimension you specify.
- Finish** Any powder-coat color - 34 standard options, plus custom match.
- Mounting** Surface mount, Freestanding / portable.
- Branding** Laser-cut logos, plaques, and donor recognition integrated into the piece.

### ANCHORING & ORDER CODES

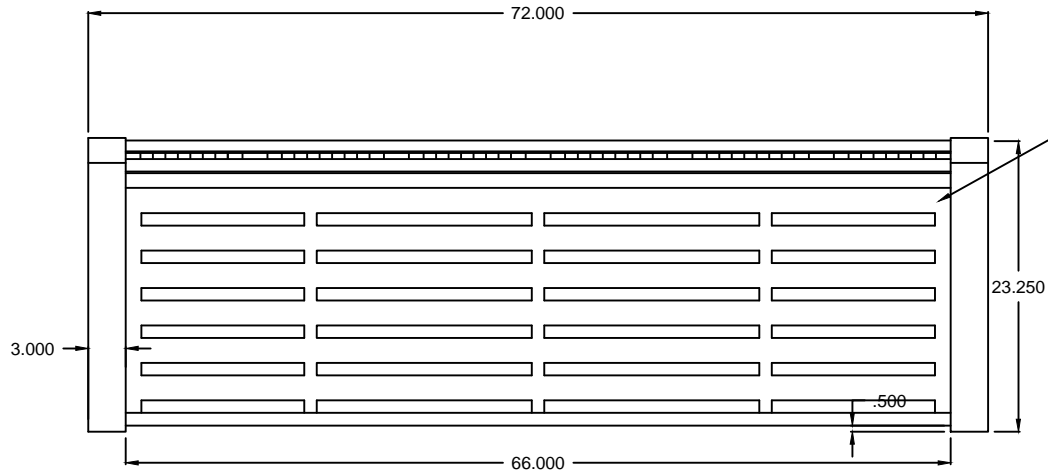
- Surface mount **B-1454-SM**
- Freestanding / portable **B-1454-FS**

### WARRANTY

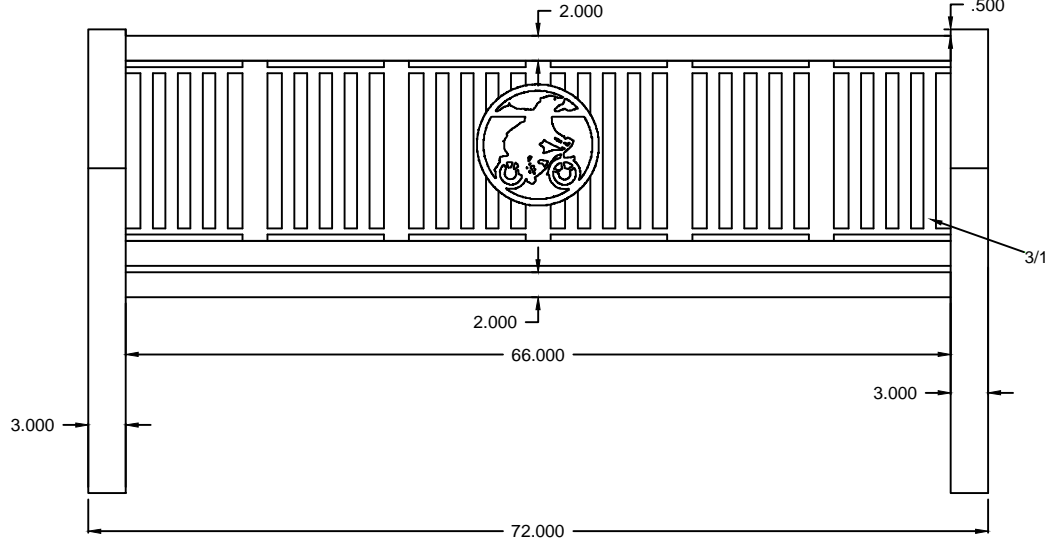
Frame warranted against structural defect; powder-coat finish warranted against failure under normal public-realm use. Full terms on request.

sales order 0000  
 item 0000  
 finish T3D  
 PHONE 540.342.1548 FAX 540.342.1417  
 WEB RCLFIND.COM

Custom ???  
 No. RF-O-0000  
 Date 02-09-11  
 Scale 3/32"=1"  
 approved  
 approved as noted  
 not approved revise as noted



3/16 SEAT



3/16 BACK

