

B-1481 · BENCHES

# Greek Bench



### STANDARD CONFIGURATION

Dimensions configured to order.

### MATERIALS & CONSTRUCTION

- Laser-cut and formed steel, fully welded.
- Fabricated under one roof in Roanoke, Virginia.
- Multi-stage marine-grade powder-coat finish.

### POWDER-COAT FINISHES

- |                 |                      |                    |                    |                   |
|-----------------|----------------------|--------------------|--------------------|-------------------|
| ■ Black Peel    | ■ Black Texture      | ■ Cappuccino       | ■ Cargo Black      | ■ Chocolate Brown |
| ■ Claret-Violet | ■ Classic Grey       | ■ Cobalt Blue      | ■ Light Ivory      | ■ Fence Red       |
| ■ Fir Green     | ■ Green-Blue         | ■ Gun Metal        | ■ Glossy White     | ■ Java            |
| ■ Lemon Yellow  | ■ Light Blue         | ■ Luna             | ■ Mineral Bronze   | ■ Nut Brown       |
| ■ Olive Patina  | ■ Oxblood            | ■ Pastel Turquoise | ■ Poly Silver Vein | ■ Red Letter      |
| ■ Rust          | ■ Silver Hammerstone | ■ Safety Yellow    | ■ Star Dust        | ■ Sulfur Yellow   |
| ■ Traffic Gray  | ■ Verdi              | ■ Water Blue       | ■ White Peel       |                   |

34 standard colors · custom RAL match available

### BUILT TO ORDER

Every model is a starting point. Modify size, finish, mounting, and branding to suit the site.

### CUSTOMIZE

- Size** Lengths, depths, and back height built to the dimension you specify.
- Finish** Any powder-coat color - 34 standard options, plus custom match.
- Mounting** Surface mount, Freestanding / portable.
- Branding** Laser-cut logos, plaques, and donor recognition integrated into the piece.

### ANCHORING & ORDER CODES

- Surface mount **B-1481-SM**
- Freestanding / portable **B-1481-FS**

### WARRANTY

Frame warranted against structural defect; powder-coat finish warranted against failure under normal public-realm use. Full terms on request.

|                  |     |
|------------------|-----|
| sales order 4205 |     |
| item ?????       |     |
| finish           | TBD |

approved  
 approved as noted  
 not approved revise as noted

authorized signature \_\_\_\_\_ date \_\_\_\_\_

**Custom Bench**  
 No. RF-B-0005-72 (nch)  
 Date 05-27-11  
 Scale 3/32" = 1"

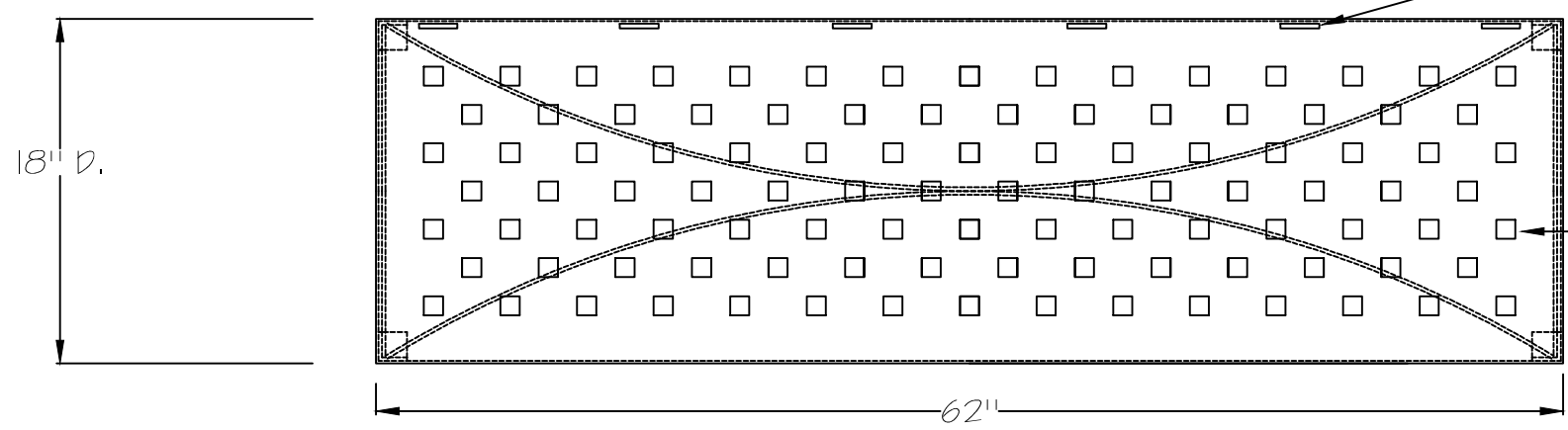
UNDERWRITERS LABORATORIES LISTED INC.  
 PHONE 540.342.1548 FAX 540.342.1417  
 WEB RCLFING.COM



top view of bench (back and sides omitted for clarity)

\* custom laser cut details (thickness TBD by FAB manager)  
 \* revised 06-08-11

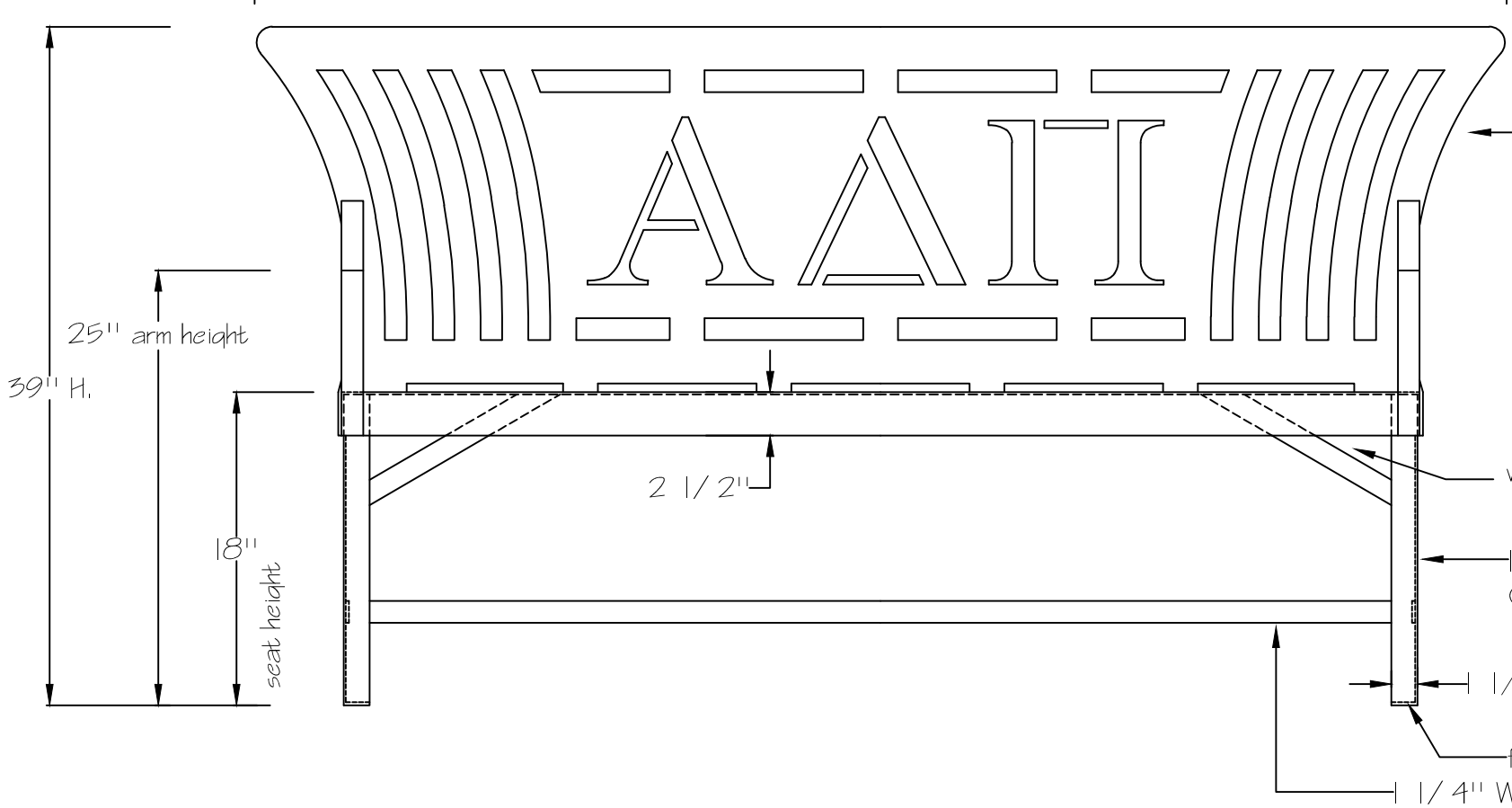
Plan View



slots for back  
 (actual size TBD)

custom laser cut bench with  
 1" square hole openings  
 and 2 1/2" return on each side  
 (metal thickness TBD by fab)

Front View



custom laser cut back welded to  
 bench seat (actual thickness TBD by FAB)

welded support (2) typ.

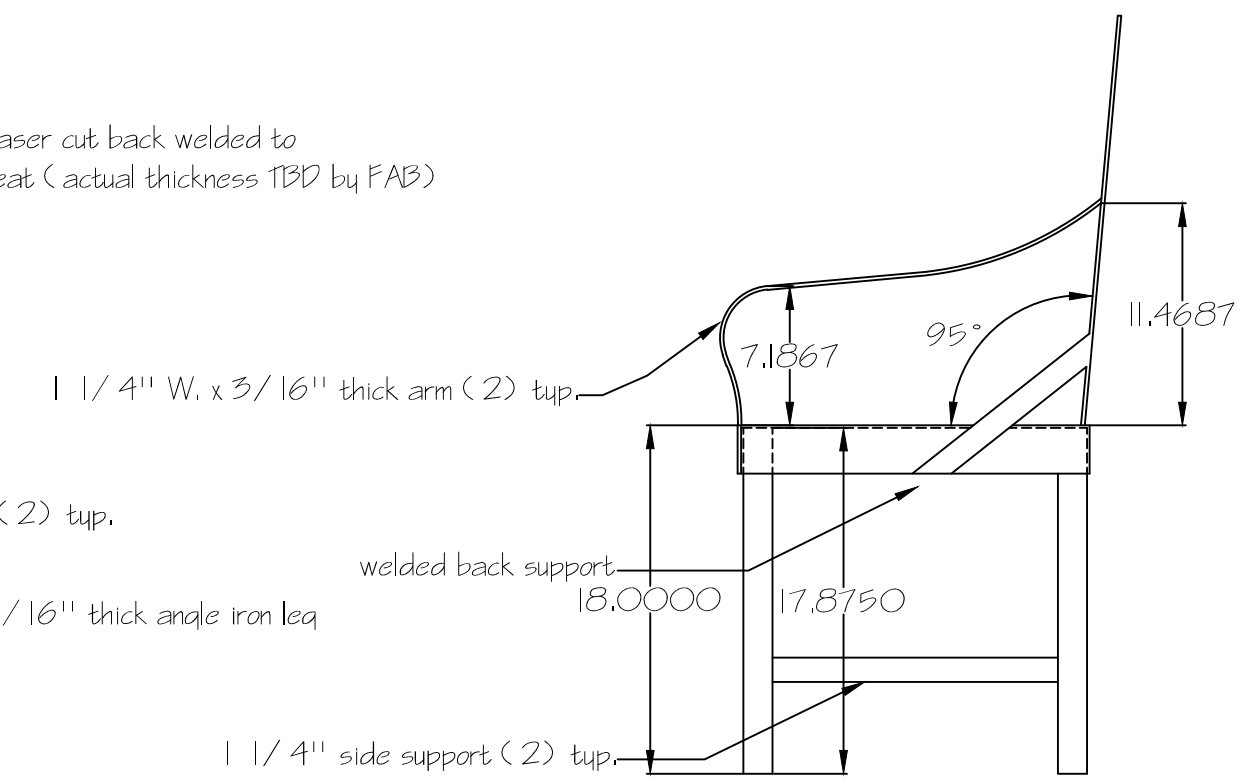
1/2" W. x 3/16" thick angle iron leg  
 (4) typ.

1/2"

flat bottom welded foot (4) typ.

1/4" W. arc support (see plan view)

Side View



1 1/4" W. x 3/16" thick arm (2) typ.

welded back support  
 18.0000

17.8750

1 1/4" side support (2) typ.