

B-1483 · BENCHES

# Carriage Bench



### STANDARD CONFIGURATION

Dimensions configured to order.

### MATERIALS & CONSTRUCTION

- Laser-cut and formed steel, fully welded.
- Fabricated under one roof in Roanoke, Virginia.
- Multi-stage marine-grade powder-coat finish.

### POWDER-COAT FINISHES

- |                 |                      |                    |                    |                   |
|-----------------|----------------------|--------------------|--------------------|-------------------|
| ■ Black Peel    | ■ Black Texture      | ■ Cappuccino       | ■ Cargo Black      | ■ Chocolate Brown |
| ■ Claret-Violet | ■ Classic Grey       | ■ Cobalt Blue      | ■ Light Ivory      | ■ Fence Red       |
| ■ Fir Green     | ■ Green-Blue         | ■ Gun Metal        | ■ Glossy White     | ■ Java            |
| ■ Lemon Yellow  | ■ Light Blue         | ■ Luna             | ■ Mineral Bronze   | ■ Nut Brown       |
| ■ Olive Patina  | ■ Oxblood            | ■ Pastel Turquoise | ■ Poly Silver Vein | ■ Red Letter      |
| ■ Rust          | ■ Silver Hammerstone | ■ Safety Yellow    | ■ Star Dust        | ■ Sulfur Yellow   |
| ■ Traffic Gray  | ■ Verdi              | ■ Water Blue       | ■ White Peel       |                   |

34 standard colors · custom RAL match available

**BUILT TO ORDER**  
 Every model is a starting point. Modify size, finish, mounting, and branding to suit the site.

### CUSTOMIZE

- Size** Lengths, depths, and back height built to the dimension you specify.
- Finish** Any powder-coat color - 34 standard options, plus custom match.
- Mounting** Surface mount, Freestanding / portable.
- Branding** Laser-cut logos, plaques, and donor recognition integrated into the piece.

### ANCHORING & ORDER CODES

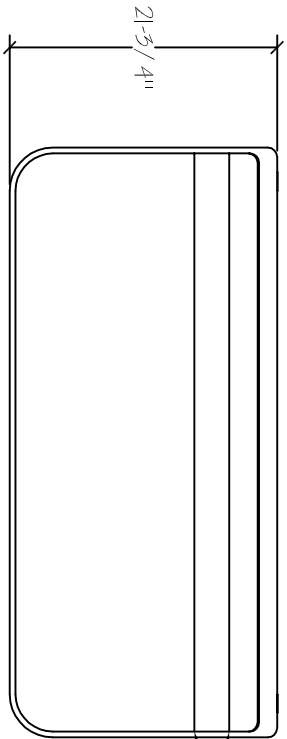
- Surface mount **B-1483-SM**
- Freestanding / portable **B-1483-FS**

### WARRANTY

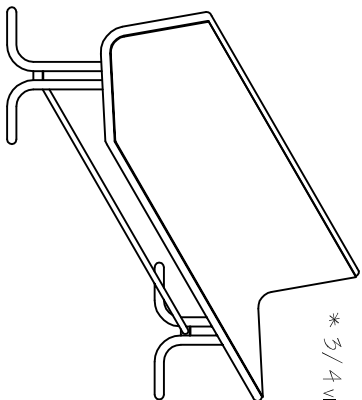
Frame warranted against structural defect; powder-coat finish warranted against failure under normal public-realm use. Full terms on request.

\* This bench is also available in 6' length.

Top View

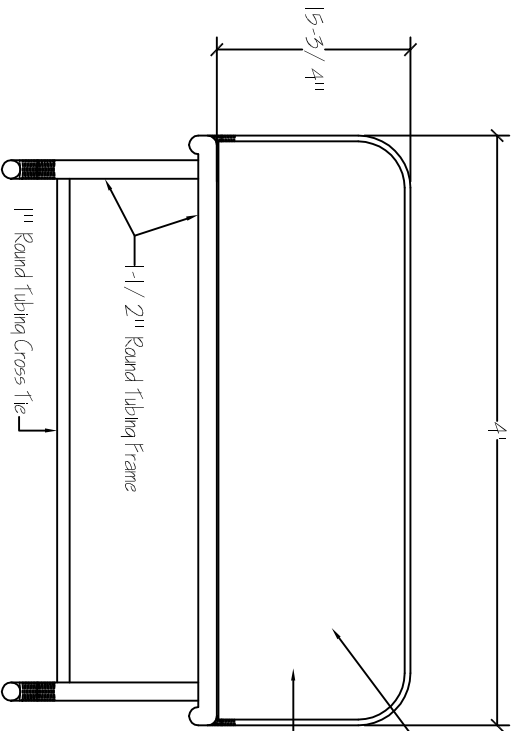


Lines to show curve in the back rest



\* 3/4 view is not to scale

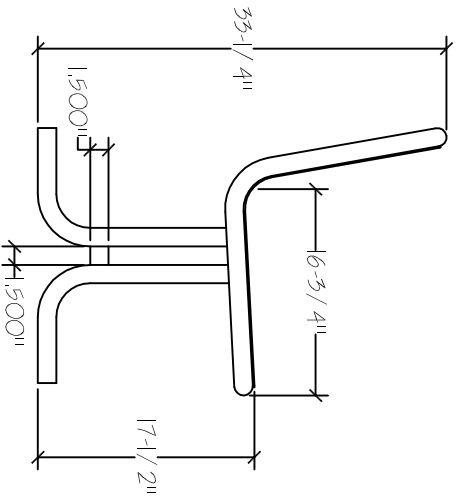
Front Elevation



Solid 11 gauge back and seat

Seat back and seat attaches to frame with 1/4"-20 underside studs and will be capped with appropriate nut fasteners

Side Elevation



sales order 0000	Custom ???	Date 9/10/13
Item 0000	No. B-1485	Scale N/A
Finish T3P	<input type="checkbox"/> approved	
PHONE 540.342.1548 FAX 540.342.1417	<input type="checkbox"/> approved as noted	
WEB RGLFNC.COM	<input type="checkbox"/> not approved revise as noted	

