

C-1039-ARMLESS · CHAIRS

C-1039 Armless Main Street Chair



BUILT TO ORDER
 Every model is a starting point. Modify size, finish, mounting, and branding to suit the site.

CUSTOMIZE

- Size** Lengths, depths, and back height built to the dimension you specify.
- Finish** Any powder-coat color - 34 standard options, plus custom match.
- Mounting** Surface, in-ground, or freestanding.
- Branding** Laser-cut logos, plaques, and donor recognition integrated into the piece.

WARRANTY

Frame warranted against structural defect; powder-coat finish warranted against failure under normal public realm use. Full terms on request.

STANDARD CONFIGURATION

Dimensions Item No: C-1039-Armless | Dimensions: 38"H x 20-1/2"W x 20-3/8"D | Seat Dimensions: 17-1/4" x 18-1/2" | Full

MATERIALS & CONSTRUCTION

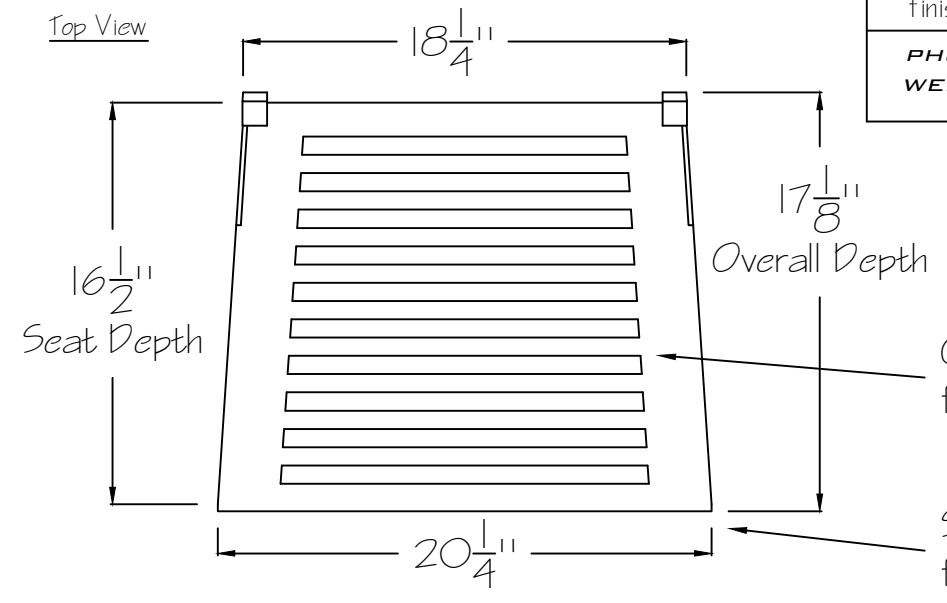
- Laser-cut and formed steel, fully welded.
- Fabricated under one roof in Roanoke, Virginia.
- Multi-stage marine-grade powder-coat finish.

POWDER-COAT FINISHES

34 standard colors · custom RAL match available

- | | | | | |
|-----------------|----------------------|--------------------|--------------------|-------------------|
| ■ Black Peel | ■ Black Texture | ■ Cappuccino | ■ Cargo Black | ■ Chocolate Brown |
| ■ Claret-Violet | ■ Classic Grey | ■ Cobalt Blue | ■ Light Ivory | ■ Fence Red |
| ■ Fir Green | ■ Green-Blue | ■ Gun Metal | ■ Glossy White | ■ Java |
| ■ Lemon Yellow | ■ Light Blue | ■ Luna | ■ Mineral Bronze | ■ Nut Brown |
| ■ Olive Patina | ■ Oxblood | ■ Pastel Turquoise | ■ Poly Silver Vein | ■ Red Letter |
| ■ Rust | ■ Silver Hammerstone | ■ Safety Yellow | ■ Star Dust | ■ Sulfur Yellow |
| ■ Traffic Gray | ■ Verdi | ■ Water Blue | ■ White Peel | |

sales order 12549-F		Custom Armless Chair	date 7/19/22
item T.B.D.		No. C-1039 Armless	scale 1/8"=1"
finish	Cobalt RAL 5013	<input type="checkbox"/> approved <input type="checkbox"/> approved as noted <input type="checkbox"/> not approved revise as noted	
PHONE 540.342.1548 FAX 540.342.1417 WEB RGLFING.COM			



Custom Seat Bottom
formed on all sides for strength

Seat Bottom to cover ends of Front Legs,
front of Seat Bottom to be flush with front of Legs.

