

CST-1811 · CAROUSEL TABLES

# Three Bench Carousel Table



**BUILT TO ORDER**  
 Every model is a starting point. Modify size, finish, mounting, and branding to suit the site.

**STANDARD CONFIGURATION**

Dimensions configured to order.

**MATERIALS & CONSTRUCTION**

- Laser-cut and formed steel, fully welded.
- Fabricated under one roof in Roanoke, Virginia.
- Multi-stage marine-grade powder-coat finish.

**CUSTOMIZE**

- Size** Lengths, depths, and back height built to the dimension you specify.
- Finish** Any powder-coat color - 34 standard options, plus custom match.
- Mounting** Surface, in-ground, or freestanding.
- Branding** Laser-cut logos, plaques, and donor recognition integrated into the piece.

**WARRANTY**

Frame warranted against structural defect; powder-coat finish warranted against failure under normal public-realm use. Full terms on request.

**POWDER-COAT FINISHES**

34 standard colors · custom RAL match available

- |                 |                      |                    |                    |                   |
|-----------------|----------------------|--------------------|--------------------|-------------------|
| ■ Black Peel    | ■ Black Texture      | ■ Cappuccino       | ■ Cargo Black      | ■ Chocolate Brown |
| ■ Claret-Violet | ■ Classic Grey       | ■ Cobalt Blue      | ■ Light Ivory      | ■ Fence Red       |
| ■ Fir Green     | ■ Green-Blue         | ■ Gun Metal        | ■ Glossy White     | ■ Java            |
| ■ Lemon Yellow  | ■ Light Blue         | ■ Luna             | ■ Mineral Bronze   | ■ Nut Brown       |
| ■ Olive Patina  | ■ Oxblood            | ■ Pastel Turquoise | ■ Poly Silver Vein | ■ Red Letter      |
| ■ Rust          | ■ Silver Hammerstone | ■ Safety Yellow    | ■ Star Dust        | ■ Sulfur Yellow   |
| ■ Traffic Gray  | ■ Verdi              | ■ Water Blue       | ■ White Peel       |                   |

sales order 0000  
 item 0000  
 finish TBD  
 PHONE 540.342.1548 FAX 540.342.1417  
 WEB RCLFING.COM

Custom Round Table  
 No. RF-T-0028-42  
 Date 09-07-11  
 scale 3/32"=1"  
 approved  
 approved as noted  
 not approved revise as noted



\* drawing not for factory use

Plan View

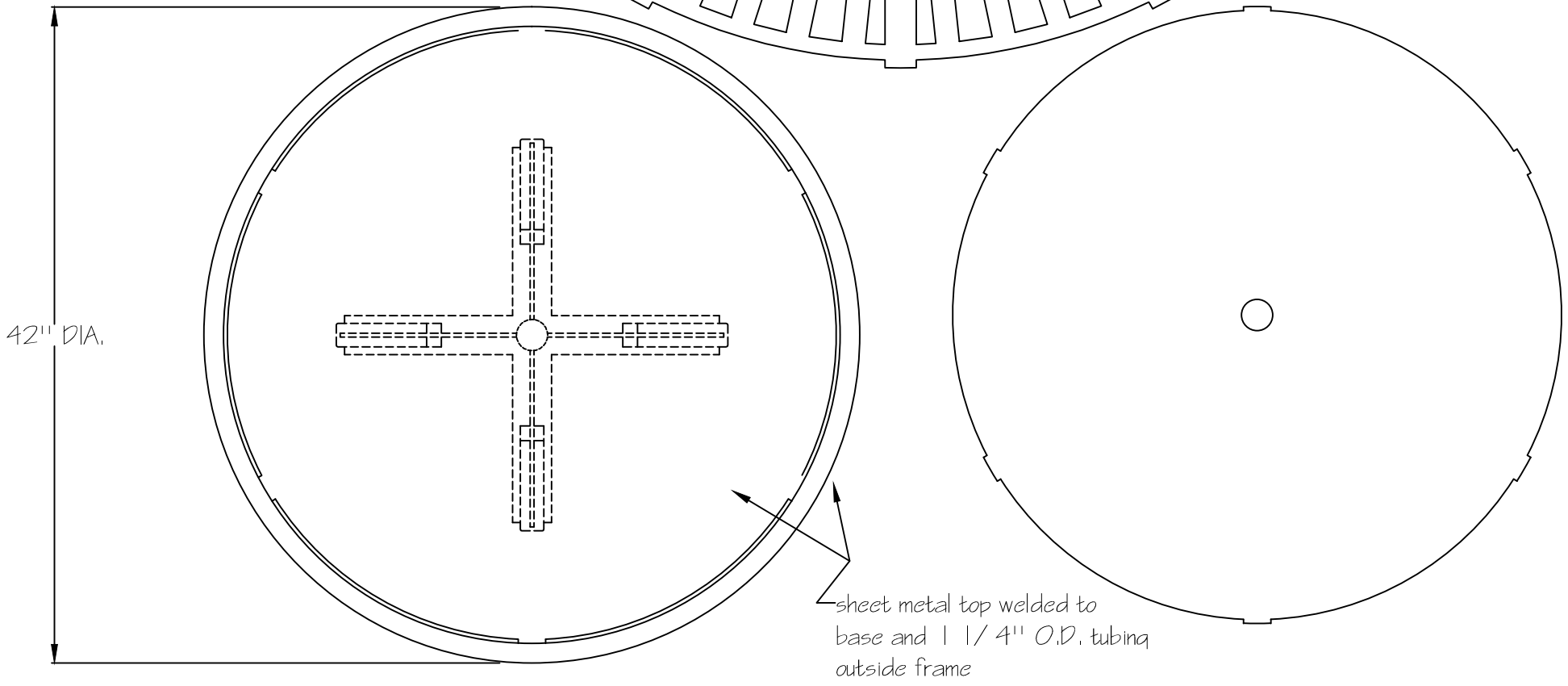
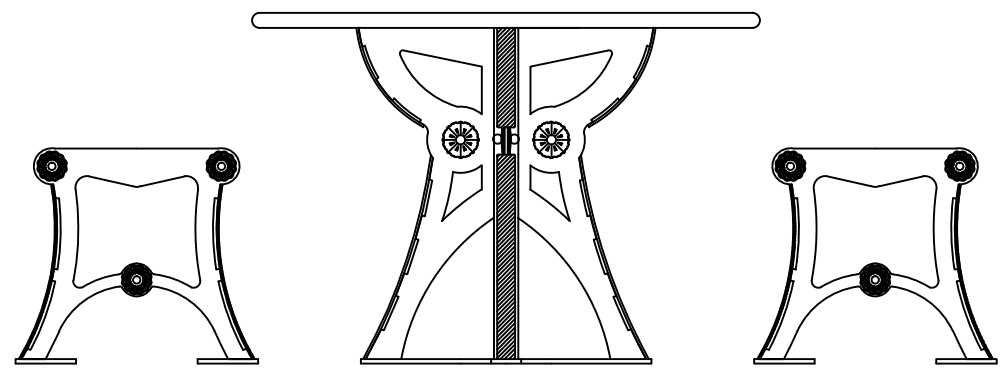
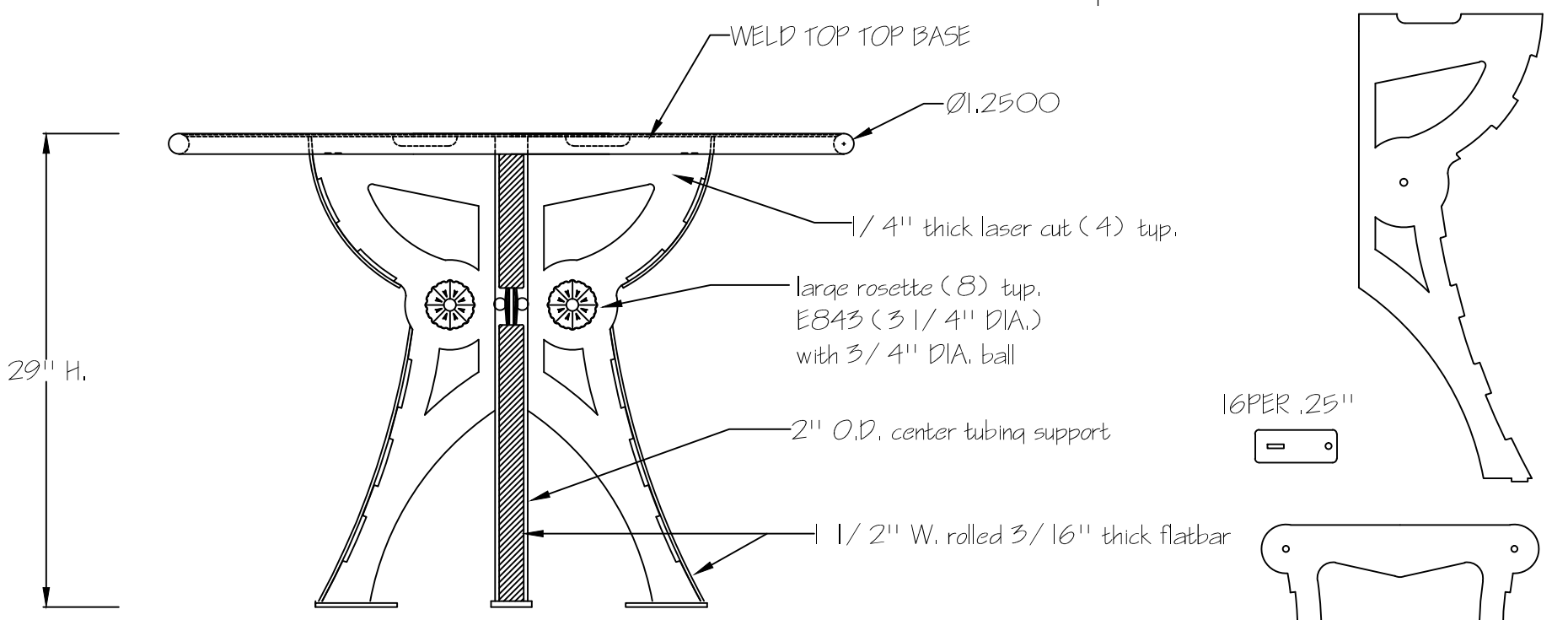


Table shown with curved matching benches not to scale

shown flat



Elevation View



ARC LENGTH 22.50 INSIDE  
 ARC LENGTH 39.27"  
 ARC LENGTH 31.55"

