



Sales Order: 8388-F

Item: n/a

Finish: Powder Coat - Color TBD

# RENAISSANCE

- approved
- approved as noted
- not approved revise as noted

Custom Elliptical Planter

No. P-1036-SM

mbc



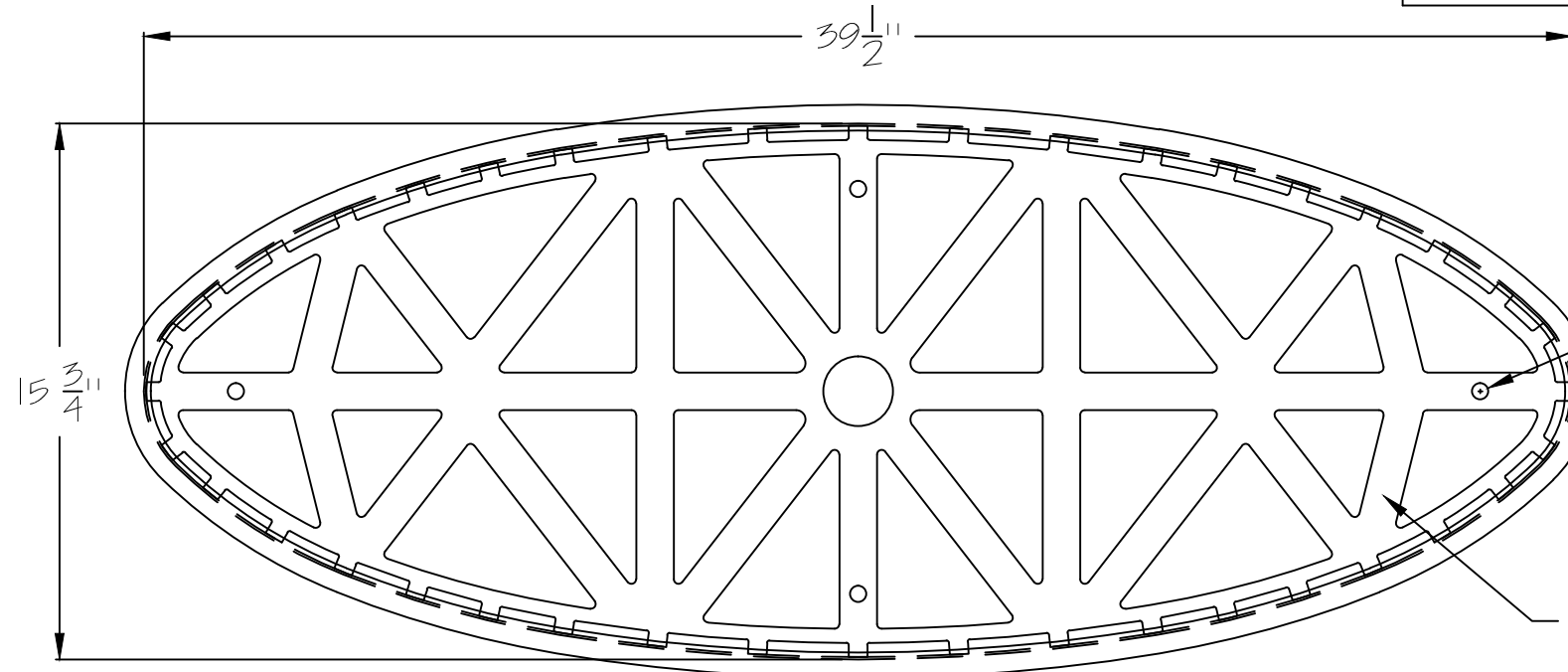
Date 08.26.16

Scale NTS

authorized signature \_\_\_\_\_ date \_\_\_\_\_

PHONE 540.342.1548 FAX 540.342.1417 WEB RCLFING.COM

Top Elevation



(4)  $\varnothing \frac{1}{2}$ " mounting holes  
(installation and hardware provided by others)

custom laser cut plant rest,  
recessed  $\frac{1}{2}$ " from bottom

Front Elevation



$\frac{3}{16}$ " thick laser cut  
top trim ring

$\frac{1}{2}$ " trim ring  
overhang

sheet metal body

plant rest  
(holes provided in plant rest for surface mounting,  
see "Top Elevation" above)