

RF-B-0005-72 · BENCHES

# Bench 0005-72



### STANDARD CONFIGURATION

Dimensions configured to order.

### MATERIALS & CONSTRUCTION

- Laser-cut and formed steel, fully welded.
- Fabricated under one roof in Roanoke, Virginia.
- Multi-stage marine-grade powder-coat finish.

### BUILT TO ORDER

Every model is a starting point. Modify size, finish, mounting, and branding to suit the site.

### CUSTOMIZE

- Size** Lengths, depths, and back height built to the dimension you specify.
- Finish** Any powder-coat color, standard or custom match.
- Mounting** Surface, in-ground, or freestanding.
- Branding** Laser-cut logos, plaques, and donor recognition integrated into the piece.

### WARRANTY

Frame warranted against structural defect; powder-coat finish warranted against failure under normal public-realm use. Full terms on request.

sales order 4205	
item ????	
finish	TBD

- approved
- approved as noted
- not approved revise as noted

Custom Bench

No. RF-B-0005-72

(nch)



Date 05-27-11

Scale 3/32" = 1"

authorized signature \_\_\_\_\_ date \_\_\_\_\_

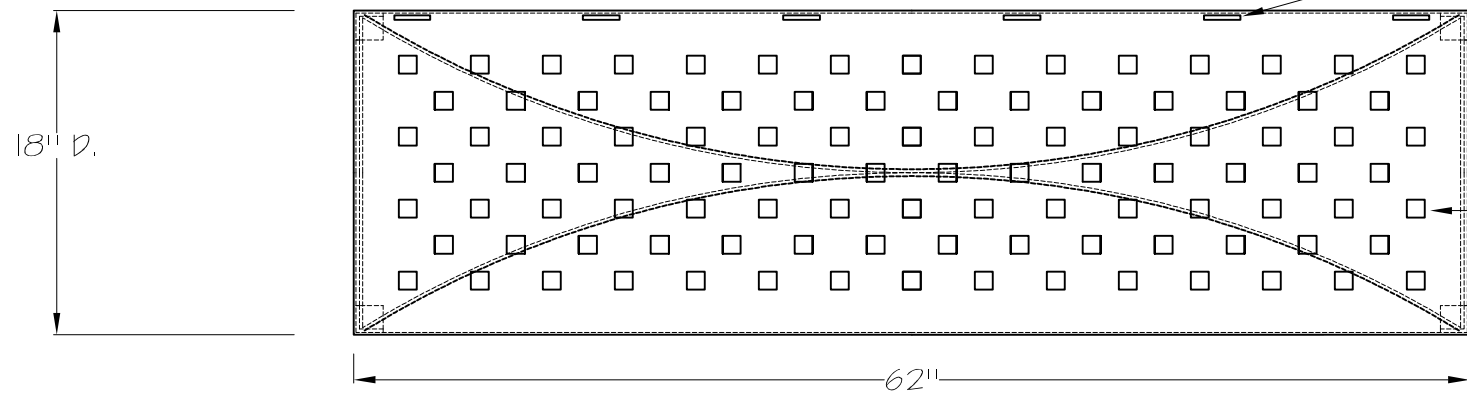
PHONE 540.342.1548 FAX 540.342.1417  
WEB RCLFINC.COM



top view of bench (back and sides omitted for clarity)

- \* custom laser cut details (thickness TBD by FAB manager)
- \* revised 06-08-11

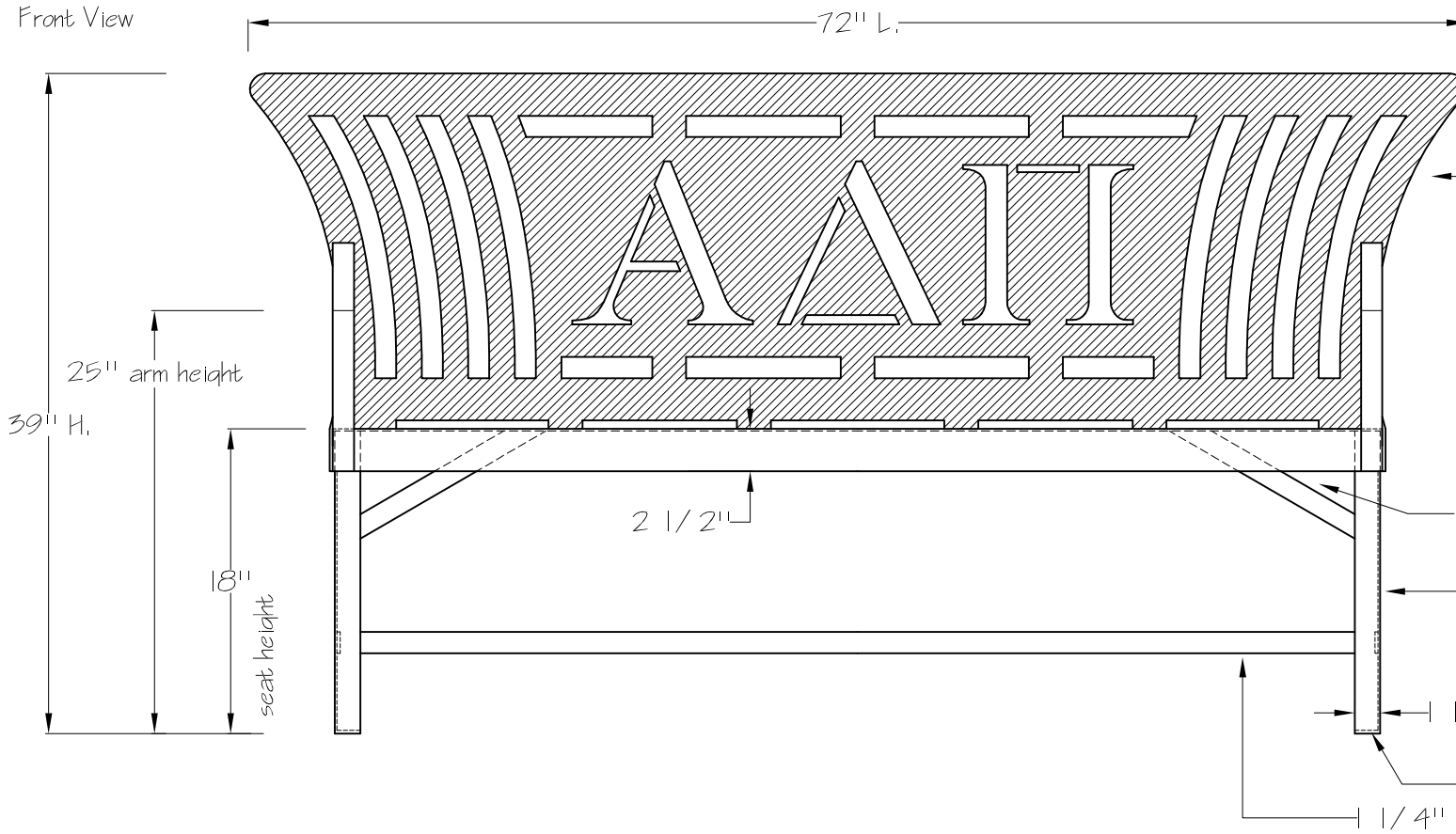
Plan View



slots for back  
(actual size TBD)

custom laser cut bench with  
1" square hole openings  
and 2 1/2" return on each side  
(metal thickness TBD by fab)

Front View



custom laser cut back welded to  
bench seat (actual thickness TBD by FAB)

1 1/4" W. x 3/16" thick arm (2) typ.

welded support (2) typ.

1/2" W. x 3/16" thick angle iron leg  
(4) typ.

1/2"

flat bottom welded foot (4) typ.

1/4" W. arc support (see plan view)

Side View

welded back support

1 1/4" side support (2) typ.

95°