

RF-B-0503-72-SM-KROGER · BENCHES

Bench



STANDARD CONFIGURATION

Dimensions configured to order.

MATERIALS & CONSTRUCTION

- Laser-cut and formed steel, fully welded.
- Fabricated under one roof in Roanoke, Virginia.
- Multi-stage marine-grade powder-coat finish.

BUILT TO ORDER

Every model is a starting point. Modify size, finish, mounting, and branding to suit the site.

CUSTOMIZE

- Size** Lengths, depths, and back height built to the dimension you specify.
- Finish** Any powder-coat color, standard or custom match.
- Mounting** Surface, in-ground, or freestanding.
- Branding** Laser-cut logos, plaques, and donor recognition integrated into the piece.

WARRANTY

Frame warranted against structural defect; powder-coat finish warranted against failure under normal public-realm use. Full terms on request.

Sales Order: 13531-F

Bench with Herman L. Horn Elementary "Bee" Logo

Item: n/a

No: RF-B-0503-72-Herman

Finish: TBD

- approved
- approved as noted
- not approved revise as noted

Date 05.17.24

By PQJ

Scale NTS

PHONE: 540.342.1548

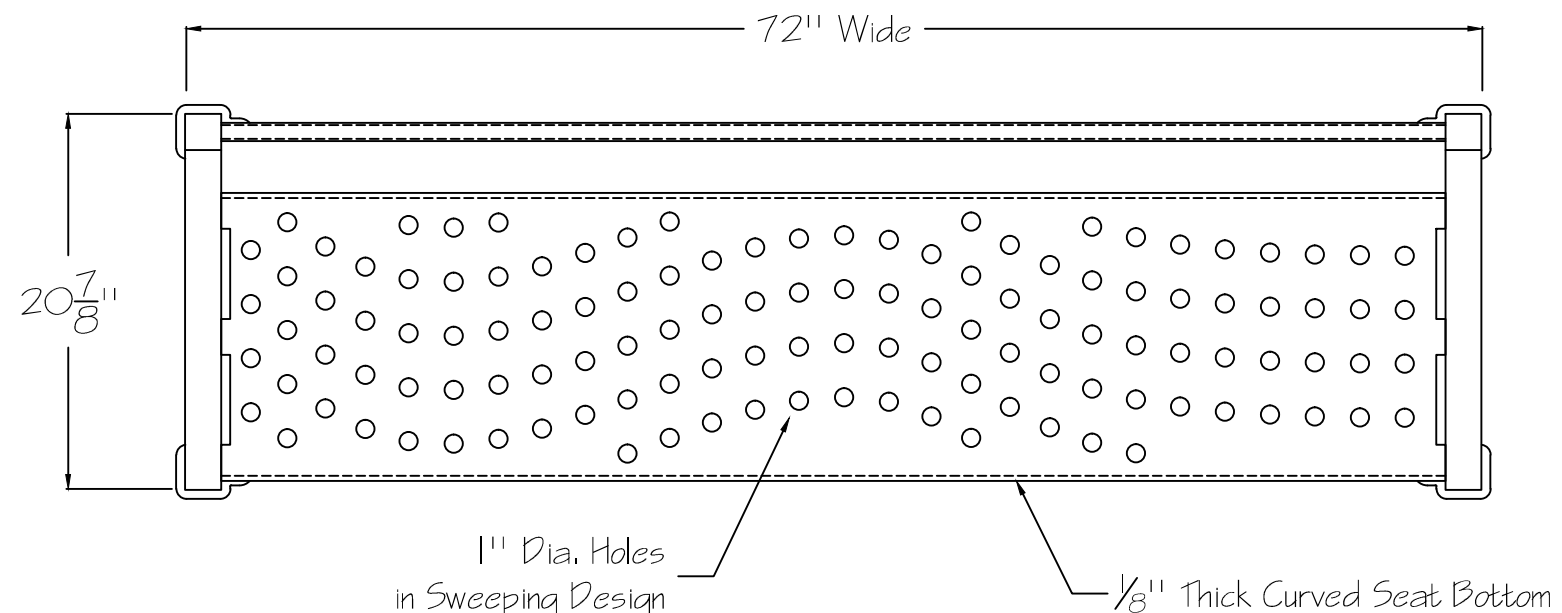
FAX: 540.342.1417

WEB: RCLFINC.COM

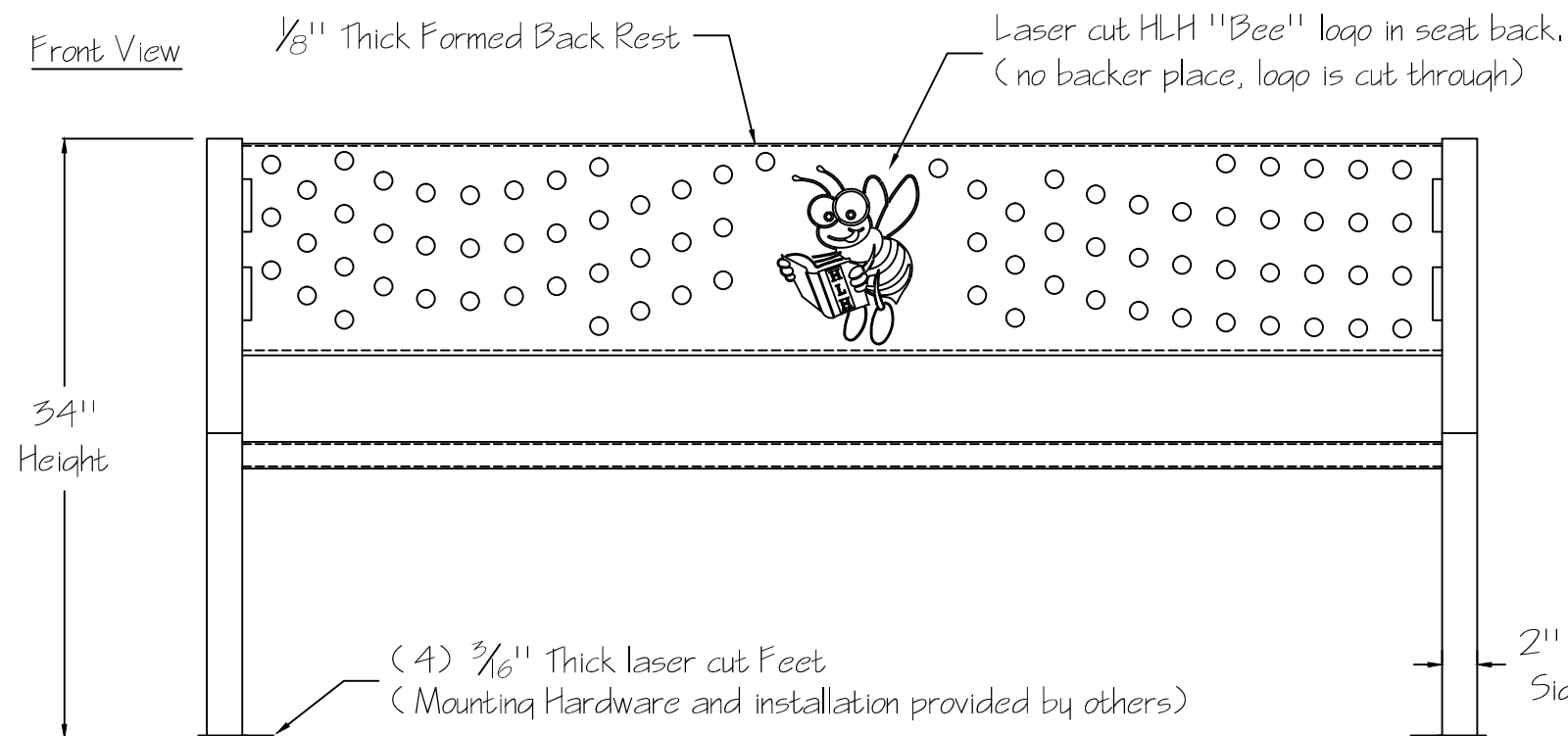


Renaissance reserves the right to make adjustments during fabrication to ensure product integrity, performance, and meet applicable UL standards.

Top View

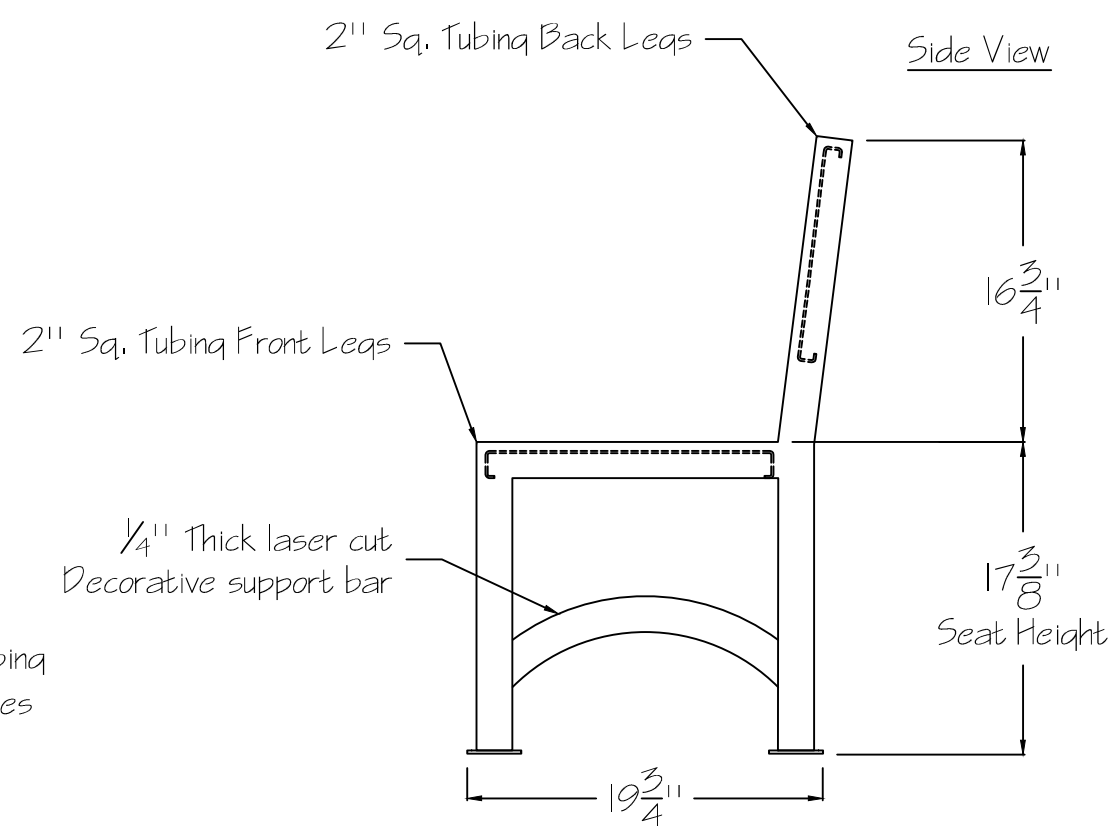


Front View



2" Sq. Tubing Back Legs

Side View



2" Sq. Tubing Front Legs

1/4" Thick laser cut Decorative support bar

2" Sq. Tubing Side Frames