

RF-BK-0004 · BIKE RACKS & BOLLARDS

# Town Water Tower Bike Rack



**BUILT TO ORDER**  
 Every model is a starting point. Modify size, finish, mounting, and branding to suit the site.

**STANDARD CONFIGURATION**

Dimensions      Dimensions: 83-3/4"L x | 42"W x 78"H

**MATERIALS & CONSTRUCTION**

- Laser-cut and formed steel, fully welded.
- Fabricated under one roof in Roanoke, Virginia.
- Multi-stage marine-grade powder-coat finish.
- Buy America (BABA) self-certification available.

**CUSTOMIZE**

- Size**                      Lengths, depths, and back height built to the dimension you specify.
- Finish**                    Any powder-coat color - 34 standard options, plus custom match.
- Mounting**                Surface mount.
- Branding**                Laser-cut logos, plaques, and donor recognition integrated into the piece.

**ANCHORING & ORDER CODES**

Surface mount **RF-BK-0004-SM**

**WARRANTY**

Frame warranted against structural defect; powder-coat finish warranted against failure under normal public-realm use. Full terms on request.

**POWDER-COAT FINISHES**

34 standard colors · custom RAL match available

- |                 |                      |                    |                    |                   |
|-----------------|----------------------|--------------------|--------------------|-------------------|
| ■ Black Peel    | ■ Black Texture      | ■ Cappuccino       | ■ Cargo Black      | ■ Chocolate Brown |
| ■ Claret-Violet | ■ Classic Grey       | ■ Cobalt Blue      | ■ Light Ivory      | ■ Fence Red       |
| ■ Fir Green     | ■ Green-Blue         | ■ Gun Metal        | ■ Glossy White     | ■ Java            |
| ■ Lemon Yellow  | ■ Light Blue         | ■ Luna             | ■ Mineral Bronze   | ■ Nut Brown       |
| ■ Olive Patina  | ■ Oxblood            | ■ Pastel Turquoise | ■ Poly Silver Vein | ■ Red Letter      |
| ■ Rust          | ■ Silver Hammerstone | ■ Safety Yellow    | ■ Star Dust        | ■ Sulfur Yellow   |
| ■ Traffic Gray  | ■ Verdi              | ■ Water Blue       | ■ White Peel       |                   |

Custom Bike Rack

nch

N<sup>o</sup>: RF-BK-0004-5M-HUNTERVILLE

- approved
- approved as noted
- not approved revise as noted

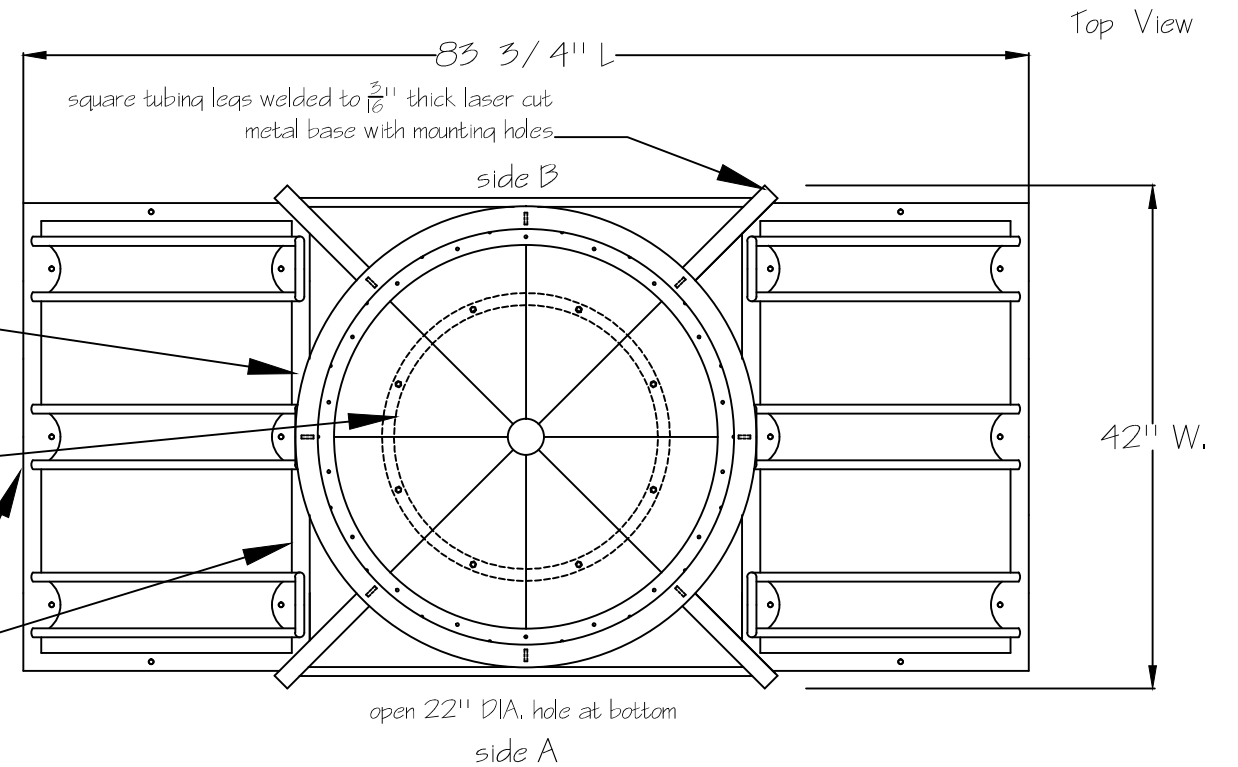
scale 3/4" = 1'

date 11-19-19



sales order 11042	
item 0000	
finish	TBD
PHONE 540.342.1548 FAX 540.342.1417	
WEB RCLFINC.COM	

- \* fixture is KD for packing and shipping
- \* revised logo per request 11-21-19 nch
- \* revised logo per request 11-25-19 nch
- \* revised logo placement per request 12-02-19 nch
- \* revised details 12-05-19 nch

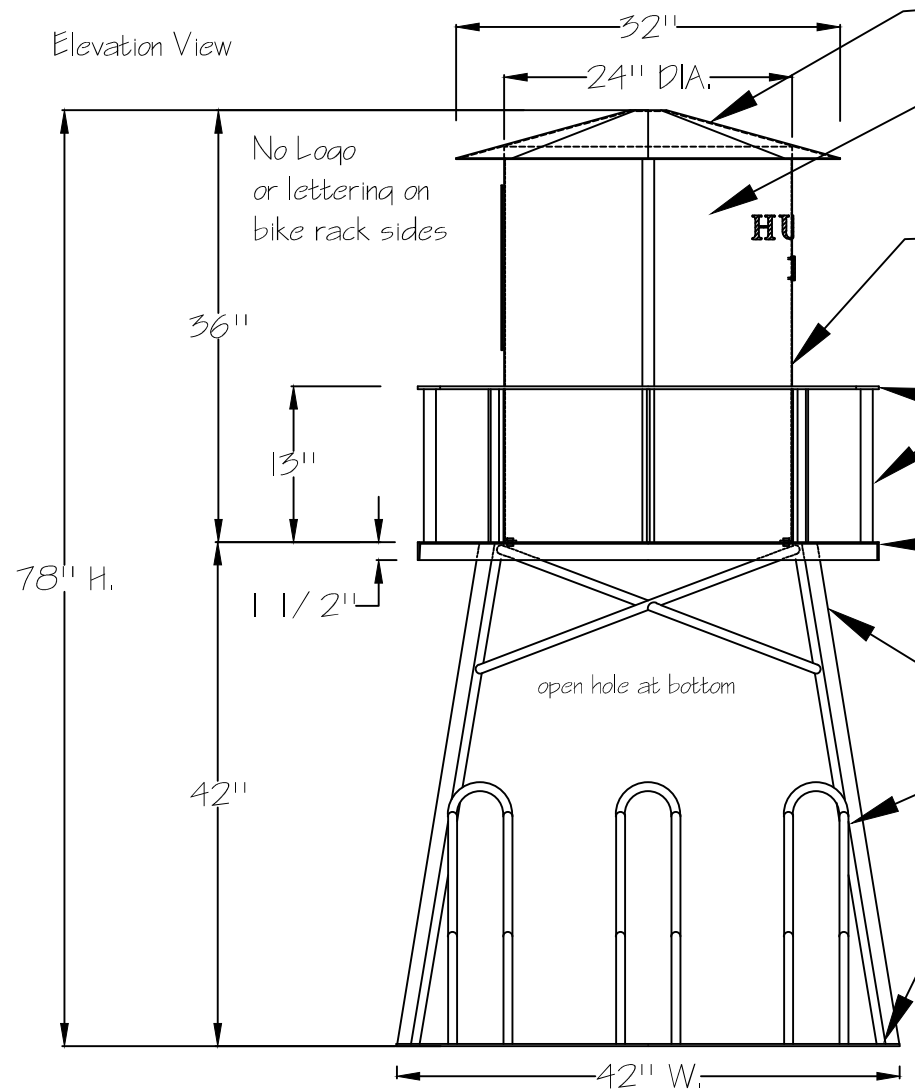


1 7/8" W. x 1/4" thick laser cut metal donut with 1" x 1/4" thick vertical support bars (8) total

38 7/16" DIA. metal donut plate (22" center hole) with small holes for water to leak through, donut plate thickness

3/16" thick laser cut metal base with mounting holes (mounting hardware to secure to concrete surface supplied by others)

Elevation View



32" DIA. custom welded sheet metal top

custom logo secured to cylinder and will have separate custom finish, logo on one side without bike rack and city name Huntsville NC on other side without bike rack per customer request

24" DIA. x 33" H custom sheet metal rolled cylinder with revised logo on sides without bike racks per customer request metal strip on each side to hide weld seam cylinder is bolted to donut plate cylinder with welded roof removable for shipping and packing

1 7/8" W. x 1/4" thick laser cut metal donut with 1" x 1/4" thick vertical support bars (8) total

38 7/16" DIA. metal donut plate (22" center hole) with small holes for water to leak through, donut plate thickness TBD by fab manager, roll 1 1/2" flat bar band welded to plate

1 1/2" square tubing welded leg with welded cross support at top of each side with 3/4" O.D. tubing

3/4" O.D. tubing bike rack set front and back tubing is welded to custom plate with mounting holes to secure bike rack tower fixture to floor surface custom plate with mounting holes to secure bike rack tower fixture to floor surface see top view

3/16" thick laser cut metal base with mounting holes (mounting hardware to secure to concrete surface supplied by others)

Side View

