

RF-G-0553 · BENCHES

Bench Swing



STANDARD CONFIGURATION

Dimensions configured to order.

MATERIALS & CONSTRUCTION

- Laser-cut and formed steel, fully welded.
- Fabricated under one roof in Roanoke, Virginia.
- Multi-stage marine-grade powder-coat finish.

BUILT TO ORDER

Every model is a starting point. Modify size, finish, mounting, and branding to suit the site.

CUSTOMIZE

- Size** Lengths, depths, and back height built to the dimension you specify.
- Finish** Any powder-coat color, standard or custom match.
- Mounting** Surface, in-ground, or freestanding.
- Branding** Laser-cut logos, plaques, and donor recognition integrated into the piece.

WARRANTY

Frame warranted against structural defect; powder-coat finish warranted against failure under normal public-realm use. Full terms on request.

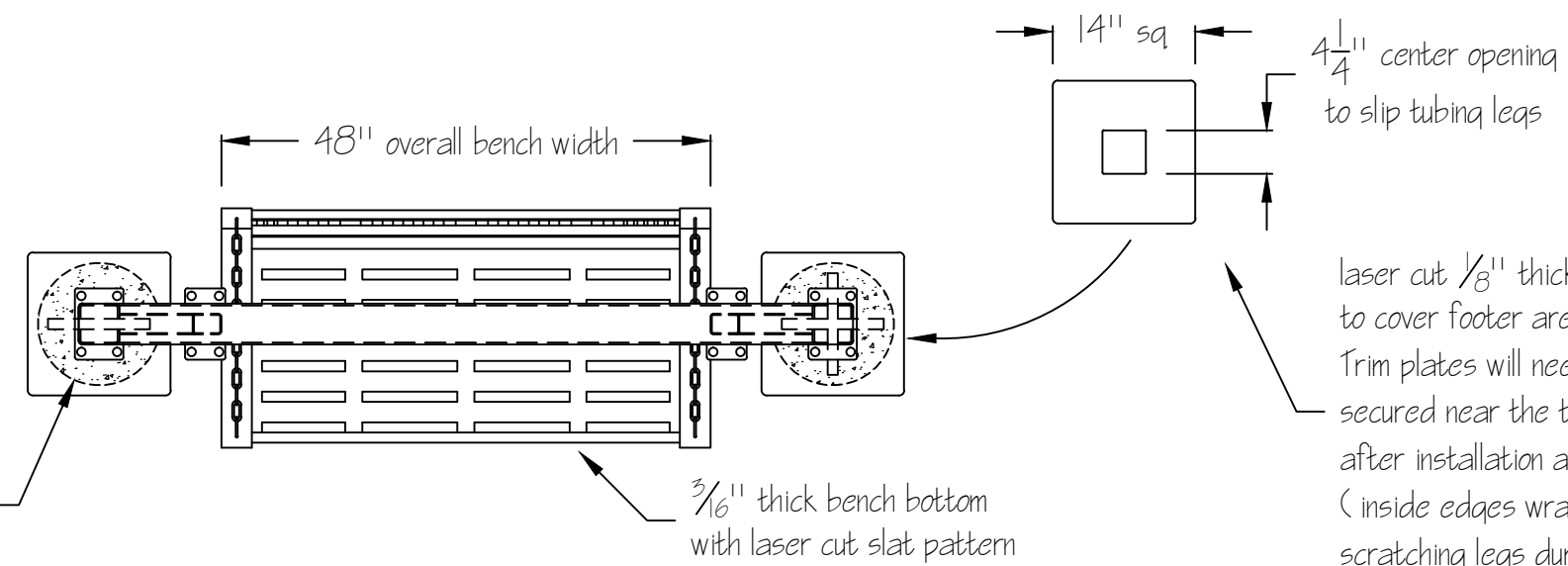
Custom Bench Swing	Date 1/4/22
RF-G-0553-48	Scale N.T.S
MCO	
<input type="checkbox"/> approved <input type="checkbox"/> approved as noted <input type="checkbox"/> not approved revise as noted	



Sales Order: 12237-F
Item:
Finish: To be Approved
PHONE 540.342.1548 FAX 540.342.1417 WEB RCLFING.COM

* added trim plates after discussion with customer_MC - 01.10.22

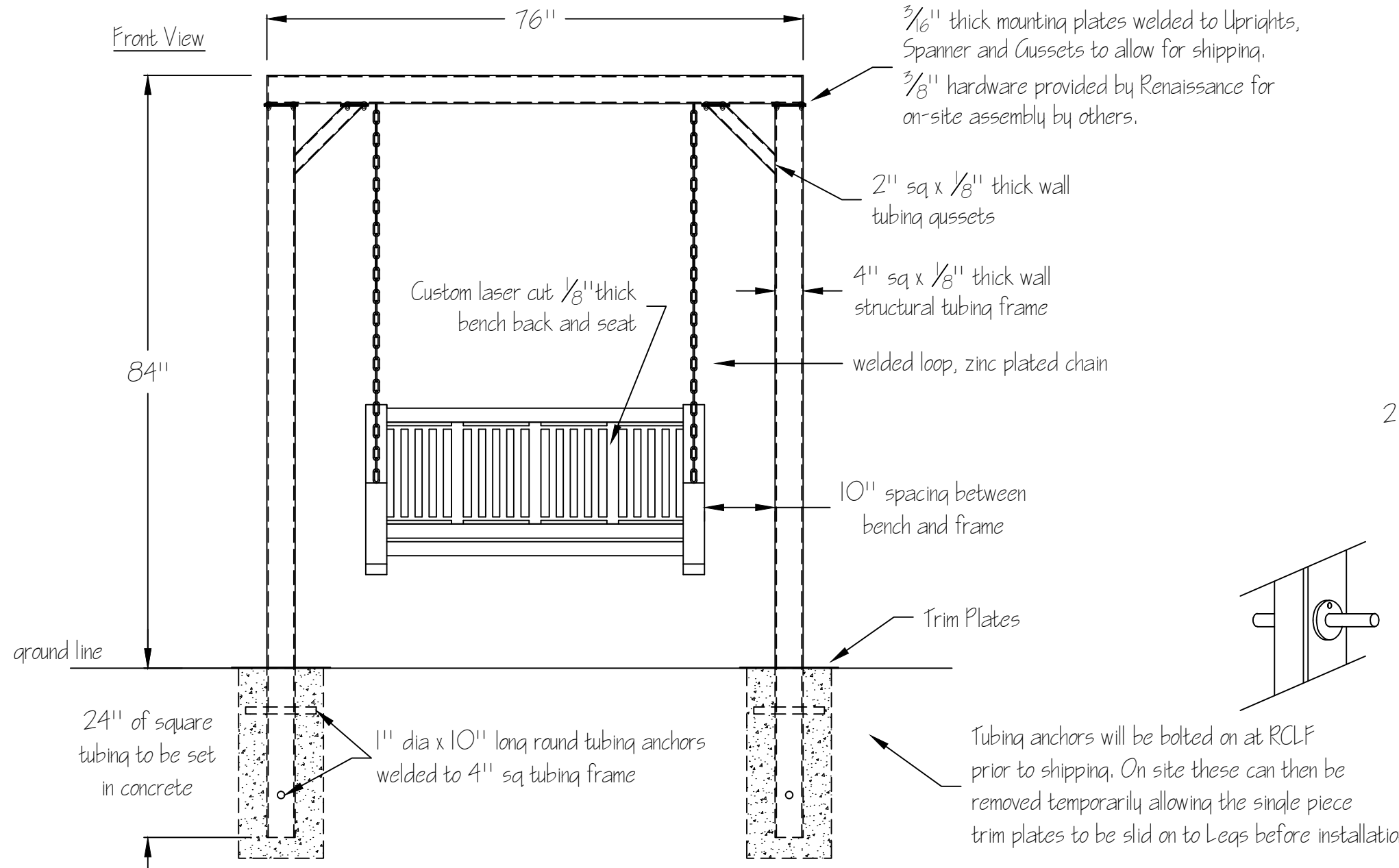
Top View



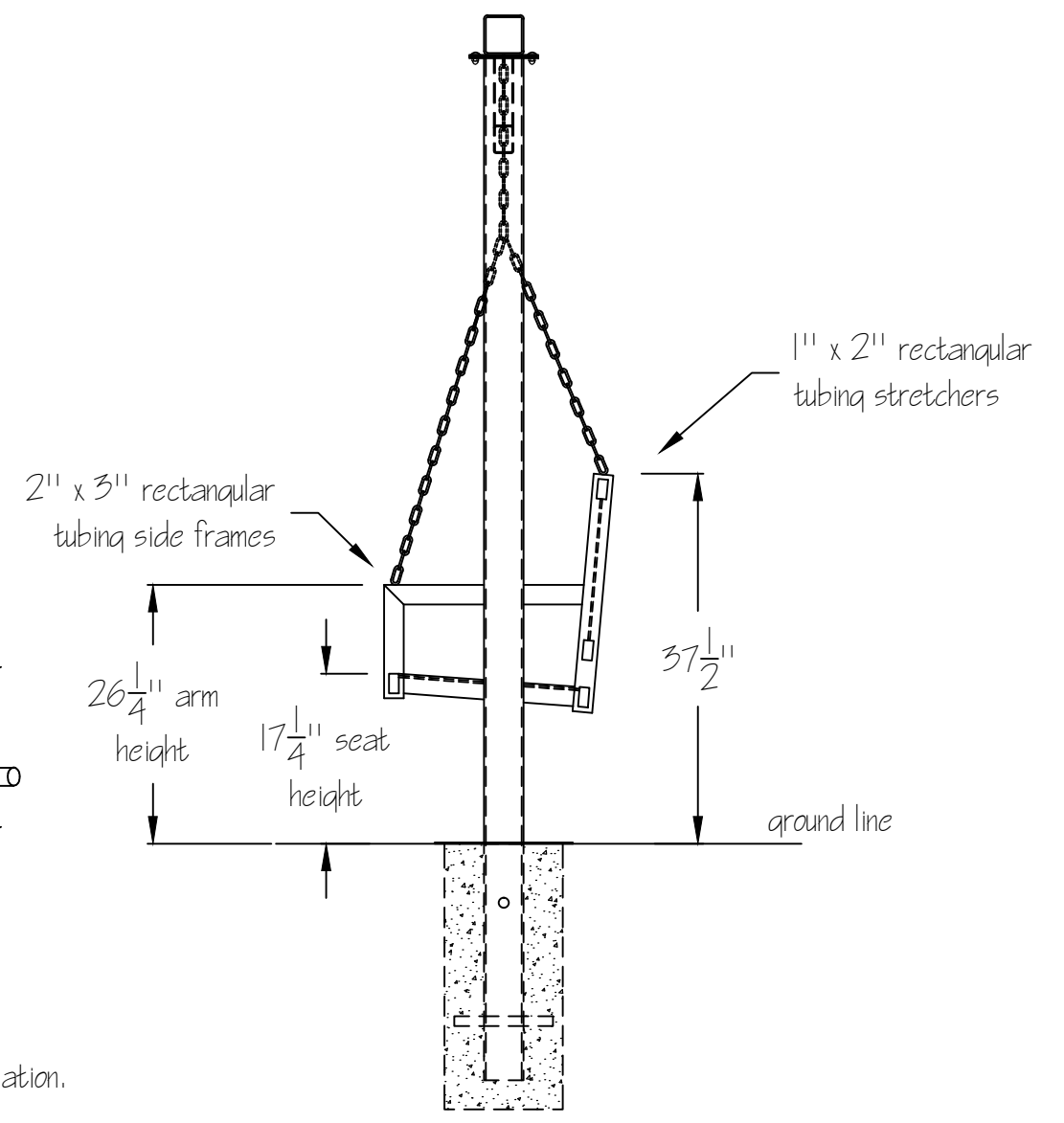
Trim plates discussed and designed to cover a 12" rnd or sq footer

laser cut 1/8" thick single piece trim plates to cover footer areas after installation, typ x 2. Trim plates will need to be slid onto legs, secured near the top temporarily and then after installation adhered over footers. (inside edges wrapped with felt to protect against scratching legs during installation)

Front View



Side View



Tubing anchors will be bolted on at RCLF prior to shipping. On site these can then be removed temporarily allowing the single piece trim plates to be slid on to Legs before installation.

(installation and concrete provided by others)