

RF-PT-0501-48 · TABLES

Picnic Table 48"



STANDARD CONFIGURATION

Dimensions configured to order.

MATERIALS & CONSTRUCTION

- Laser-cut and formed steel, fully welded.
- Fabricated under one roof in Roanoke, Virginia.
- Multi-stage marine-grade powder-coat finish.

BUILT TO ORDER

Every model is a starting point. Modify size, finish, mounting, and branding to suit the site.

CUSTOMIZE

- Size** Lengths, depths, and back height built to the dimension you specify.
- Finish** Any powder-coat color, standard or custom match.
- Mounting** Surface, in-ground, or freestanding.
- Branding** Laser-cut logos, plaques, and donor recognition integrated into the piece.

WARRANTY

Frame warranted against structural defect; powder-coat finish warranted against failure under normal public-realm use. Full terms on request.

Sales Order: Pending

Finish: Zinc Primer and Black Texture

Slats: Grey Coastal Teak, 100% Recycled Plastic

RENAISSANCE

- approved
- approved as noted
- not approved revise as noted

Custom 48" Picnic Table

No. RF-PT-0501-48 (MC)



Date 6/27/22

Scale N.T.S.

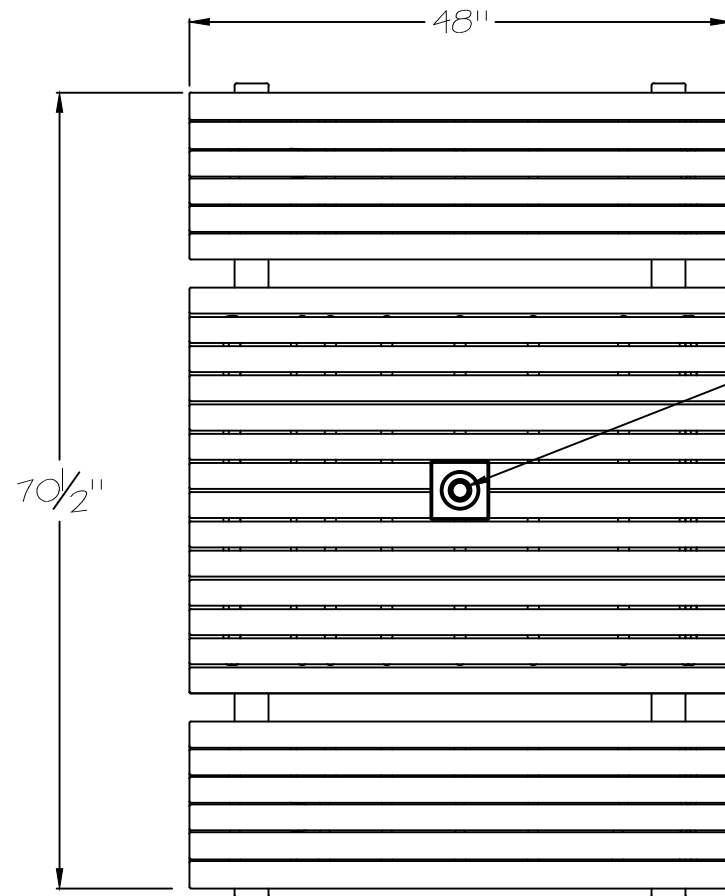
authorized signature _____ date _____

PHONE 540.342.1548 FAX 540.342.1417 WEB RCLFING.COM

Renaissance reserves the right to make adjustments during fabrication to ensure product integrity, performance, and meet applicable UL standards.

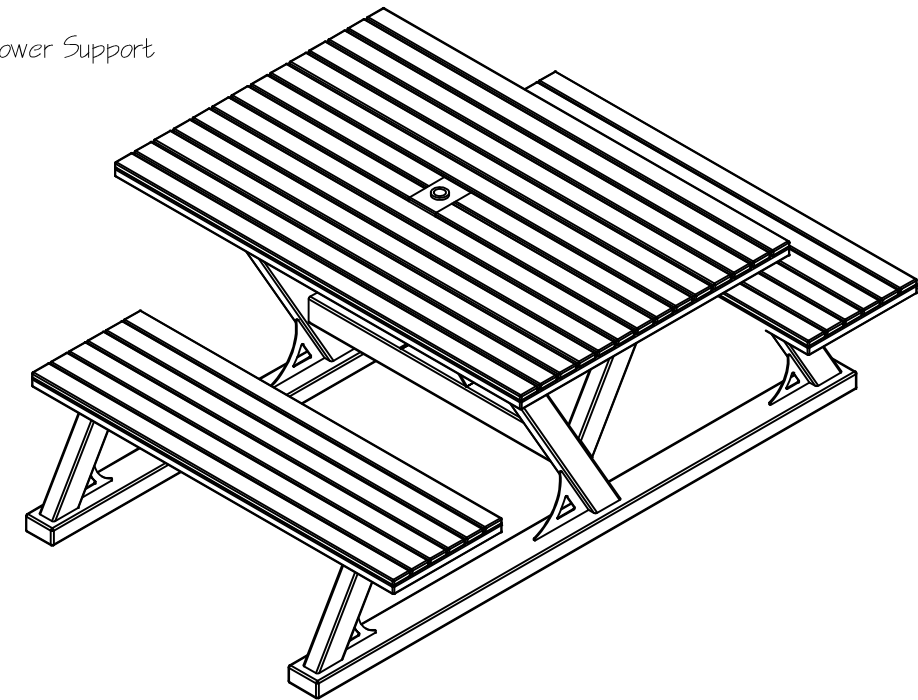
* added notes regarding umbrella pole diameters_MCO - 10.21.22
* revised powder coat color and other details_MC - 05.16.24

Top View

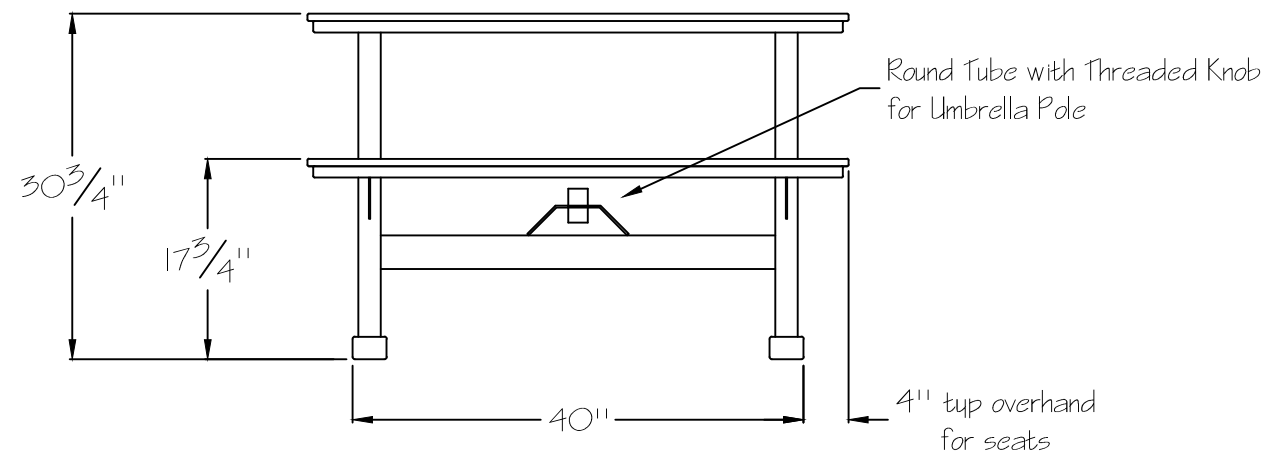


*** Important**

Center Plate with Rubber Grommet for Umbrella.
 Umbrella Pole Diameter must be provided by purchasing property at time of order / approval.
 Different diameter sizes for Plate, Rubber Grommet, and Lower Support are all available as interchangeable kits if needed after initial purchase. (additional cost applies per kit)
 1-1/2", 1-3/4" and 2" Sizes available



Front View



Side View

