

RF-PT-0501-72 · TABLES

# Picnic Table



**BUILT TO ORDER**  
 Every model is a starting point. Modify size, finish, mounting, and branding to suit the site.

**STANDARD CONFIGURATION**

Dimensions      Dimensions: 72" L x 75" W x | 30.75" H

**MATERIALS & CONSTRUCTION**

- Laser-cut and formed steel, fully welded.
- Fabricated under one roof in Roanoke, Virginia.
- Multi-stage marine-grade powder-coat finish.

**CUSTOMIZE**

- Size**                      Lengths, depths, and back height built to the dimension you specify.
- Finish**                    Any powder-coat color - 34 standard options, plus custom match.
- Mounting**                Surface, in-ground, or freestanding.
- Branding**                Laser-cut logos, plaques, and donor recognition integrated into the piece.

**WARRANTY**

Frame warranted against structural defect; powder-coat finish warranted against failure under normal public-realm use. Full terms on request.

**POWDER-COAT FINISHES**

34 standard colors · custom RAL match available

- |                 |                      |                    |                    |                   |
|-----------------|----------------------|--------------------|--------------------|-------------------|
| ■ Black Peel    | ■ Black Texture      | ■ Cappuccino       | ■ Cargo Black      | ■ Chocolate Brown |
| ■ Claret-Violet | ■ Classic Grey       | ■ Cobalt Blue      | ■ Light Ivory      | ■ Fence Red       |
| ■ Fir Green     | ■ Green-Blue         | ■ Gun Metal        | ■ Glossy White     | ■ Java            |
| ■ Lemon Yellow  | ■ Light Blue         | ■ Luna             | ■ Mineral Bronze   | ■ Nut Brown       |
| ■ Olive Patina  | ■ Oxblood            | ■ Pastel Turquoise | ■ Poly Silver Vein | ■ Red Letter      |
| ■ Rust          | ■ Silver Hammerstone | ■ Safety Yellow    | ■ Star Dust        | ■ Sulfur Yellow   |
| ■ Traffic Gray  | ■ Verdi              | ■ Water Blue       | ■ White Peel       |                   |

Weight: 365 lbs

Sales Order: 13241-F

Finish: Zinc Primer and Black Texture

Slats: Grey Coastal Teak, 100% Recycled Plastic

# RENAISSANCE

- approved
- approved as noted
- not approved revise as noted

Custom Picnic Table

No. RF-PT-0501-72-ADA (MC)



Date 3/25/22

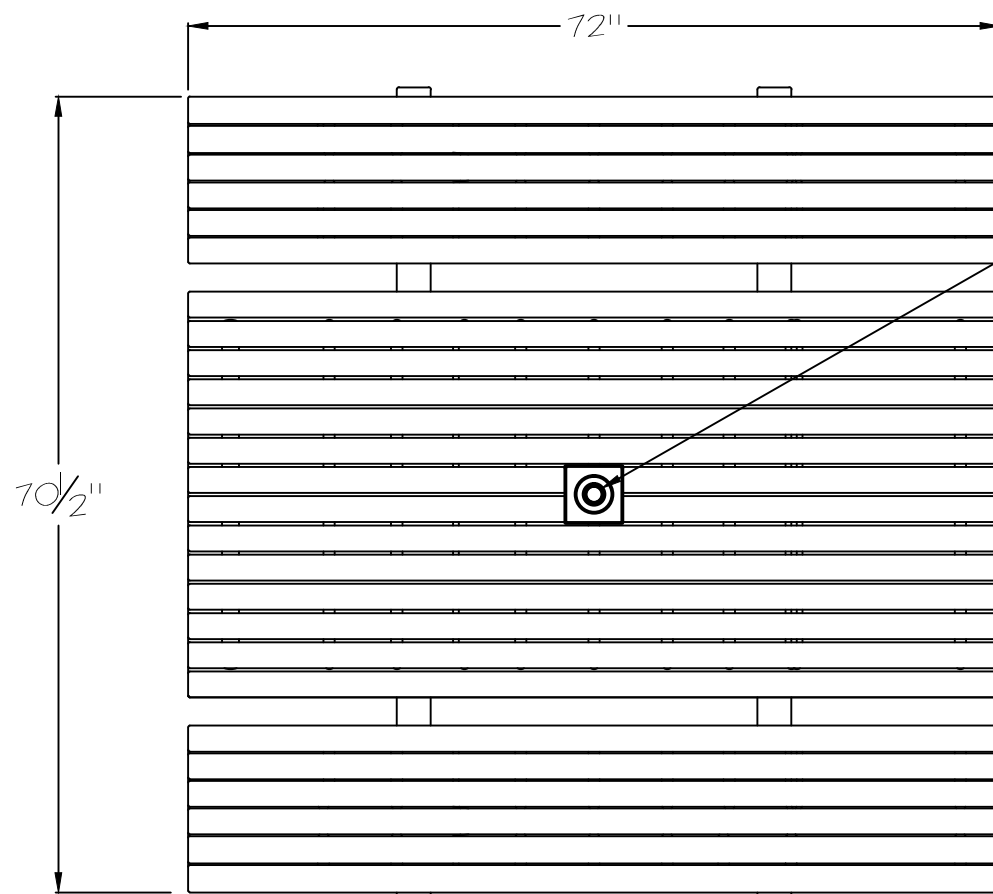
Scale N.T.S.

authorized signature \_\_\_\_\_ date \_\_\_\_\_

PHONE 540.342.1548 FAX 540.342.1417 WEB RCLFING.COM

Renaissance reserves the right to make adjustments during fabrication to ensure product integrity, performance, and meet applicable UL standards.

Top View

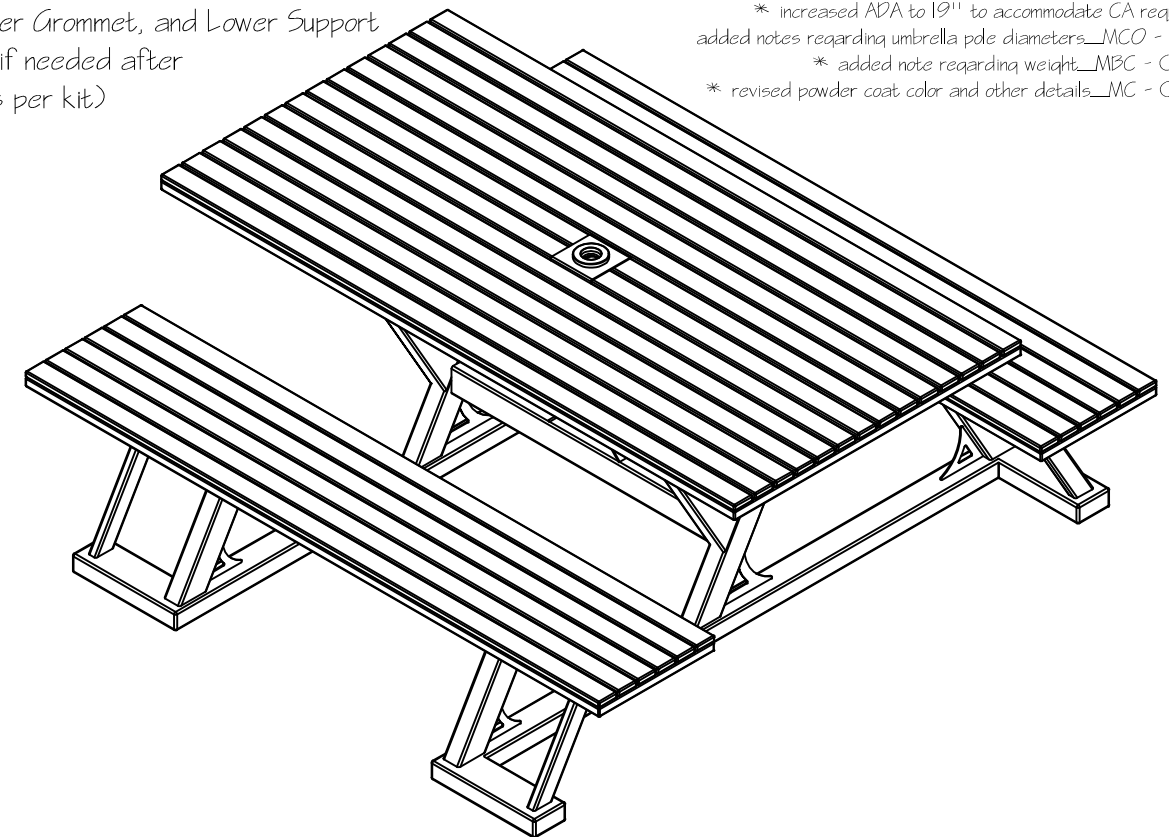


**\* Important**

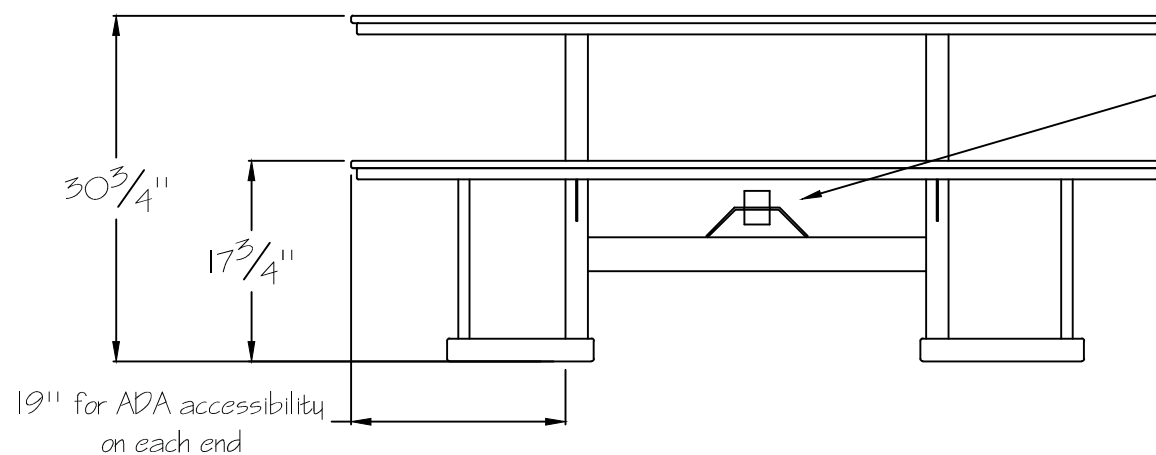
Center Plate with Rubber Grommet for Umbrella.  
Umbrella Pole Diameter must be provided by purchasing property  
at time of order / approval.

Different diameter sizes for Plate, Rubber Grommet, and Lower Support  
are all available as interchangeable kits if needed after  
initial purchase. (additional cost applies per kit)  
1-1/2", 1-3/4" and 2" Sizes available

- \* revised for ADA each end, added stability legs\_MBC - 03.31.22
- \* revised umbrella grommet and tube size\_MCO - 04.19.22
- \* increased ADA to 19" to accommodate CA requirements,  
added notes regarding umbrella pole diameters\_MCO - 10.21.22
- \* added note regarding weight\_MBC - 08.18.23
- \* revised powder coat color and other details\_MC - 05.16.24



Front View



Round Tube with Threaded Knob  
for Umbrella Pole

Side View

