

RF-R-0501-32-SM · LITTER, RECYCLING & ASH

Trash / Towel Receptacle



STANDARD CONFIGURATION

Dimensions configured to order.

MATERIALS & CONSTRUCTION

- Laser-cut and formed steel, fully welded.
- Fabricated under one roof in Roanoke, Virginia.
- Multi-stage marine-grade powder-coat finish.

BUILT TO ORDER

Every model is a starting point. Modify size, finish, mounting, and branding to suit the site.

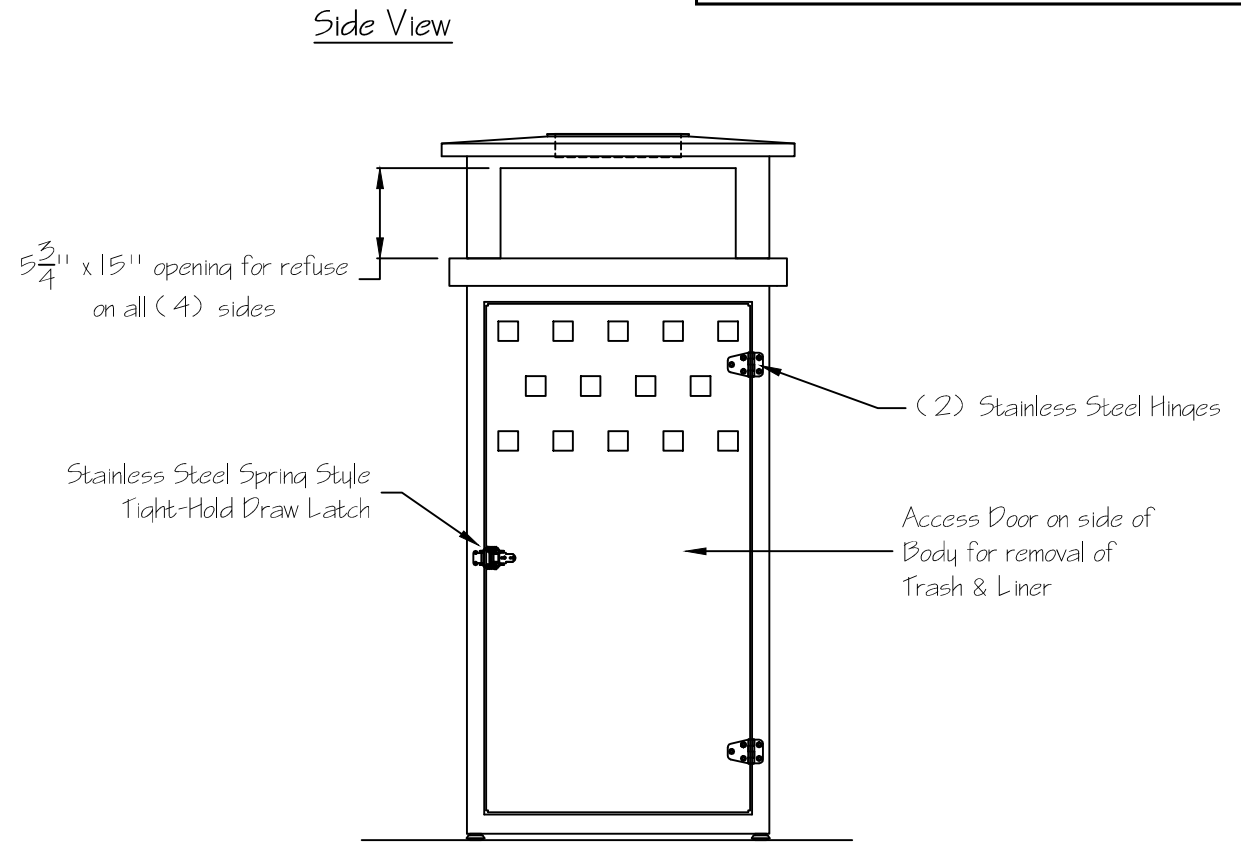
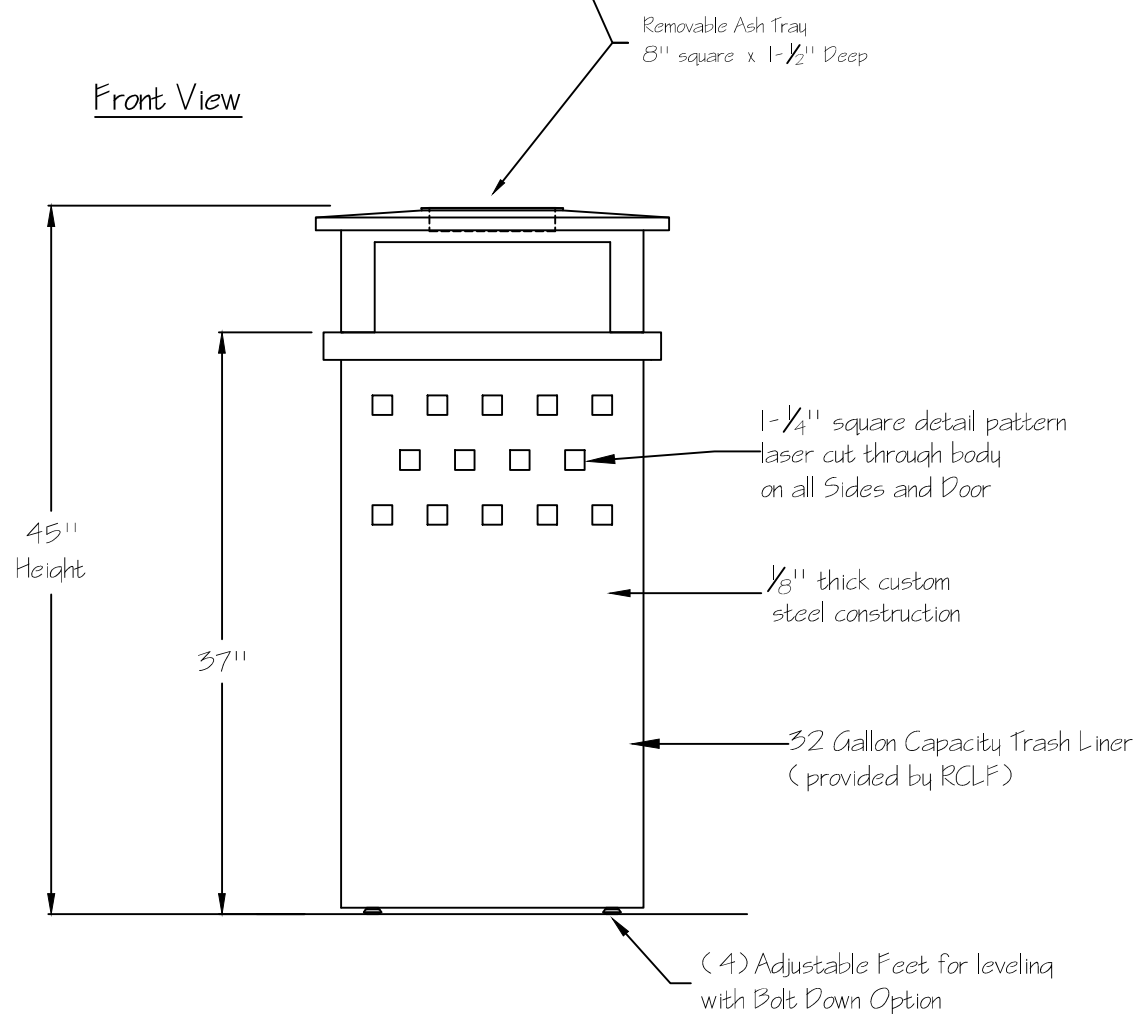
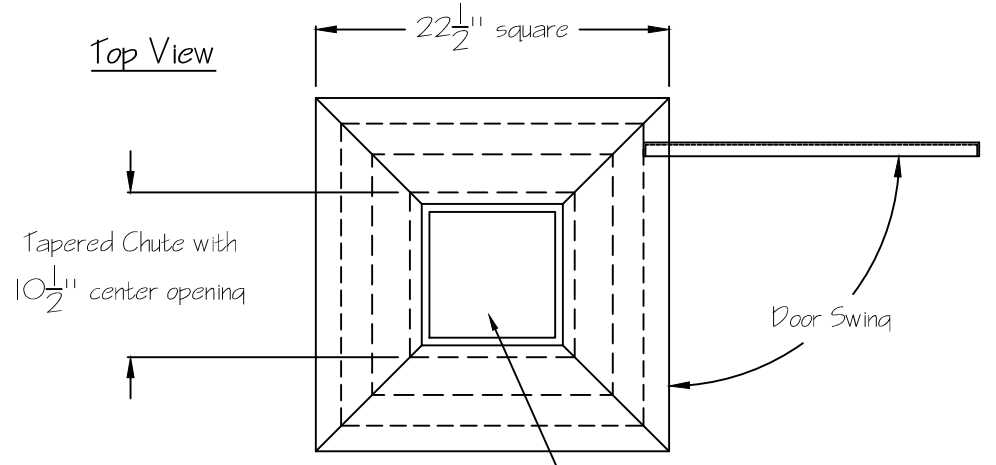
CUSTOMIZE

- Size** Lengths, depths, and back height built to the dimension you specify.
- Finish** Any powder-coat color, standard or custom match.
- Mounting** Surface, in-ground, or freestanding.
- Branding** Laser-cut logos, plaques, and donor recognition integrated into the piece.

WARRANTY

Frame warranted against structural defect; powder-coat finish warranted against failure under normal public-realm use. Full terms on request.

Sales Order: 13280-F	Custom Trash Receptacle	Date 12.18.23
Item: n/a	RF-R-0501-32-AT	Scale N.T.S
Finish: Powder Primer and Top Coat - Color to be Approved	<input type="checkbox"/> approved <input type="checkbox"/> approved as noted <input type="checkbox"/> not approved revise as noted	Drafter MC
PHONE 540.342.1548 FAX 540.342.1417 WEB RCLF INC.COM		



AA-602

JCJ ARCHITECTURE

NO EXCEPTIONS REVISE AND RESUBMIT
 AMEND AS NOTED REJECTED
 AMEND AS NOTED / RESUBMIT FOR RECORD
 INFORMATION ONLY
 FOR RECORD

This review is only for general conformance with the design concept and the information given in the contract documents. Comments made on the submittal during this review do not relieve the Contractor from compliance with the requirements of the contract documents and applicable laws, codes and regulations. Review of a specific item shall not include review of an assembly of which the item is a component. Review of such submittals is not for the purpose of determining accurate and completeness of other information such as dimensions, quantities, and installation or performance of equipment or systems, which are the Contractor's responsibilities.

BY: HGreson DATE: 12/19/2023
SPEC: _____ SUB: _____ REV: _____