

RF-R-0504-35 · LITTER, RECYCLING & ASH

# Trash Receptacle



**BUILT TO ORDER**  
 Every model is a starting point. Modify size, finish, mounting, and branding to suit the site.

## STANDARD CONFIGURATION

Dimensions | 18"DIA X 32"OAH | Bright Gold Powder Coat

## MATERIALS & CONSTRUCTION

- Laser-cut and formed steel, fully welded.
- Fabricated under one roof in Roanoke, Virginia.
- Multi-stage marine-grade powder-coat finish.

## CUSTOMIZE

- Size** Lengths, depths, and back height built to the dimension you specify.
- Finish** Any powder-coat color - 34 standard options, plus custom match.
- Mounting** Surface mount, Freestanding / portable.
- Branding** Laser-cut logos, plaques, and donor recognition integrated into the piece.

## ANCHORING & ORDER CODES

Surface mount **RF-R-0504-35-SM**  
 Freestanding / portable **RF-R-0504-35-FS**

## WARRANTY

Frame warranted against structural defect; powder-coat finish warranted against failure under normal public-realm use. Full terms on request.

## POWDER-COAT FINISHES

34 standard colors · custom RAL match available

- |                 |                      |                    |                    |                   |
|-----------------|----------------------|--------------------|--------------------|-------------------|
| ■ Black Peel    | ■ Black Texture      | ■ Cappuccino       | ■ Cargo Black      | ■ Chocolate Brown |
| ■ Claret-Violet | ■ Classic Grey       | ■ Cobalt Blue      | ■ Light Ivory      | ■ Fence Red       |
| ■ Fir Green     | ■ Green-Blue         | ■ Gun Metal        | ■ Glossy White     | ■ Java            |
| ■ Lemon Yellow  | ■ Light Blue         | ■ Luna             | ■ Mineral Bronze   | ■ Nut Brown       |
| ■ Olive Patina  | ■ Oxblood            | ■ Pastel Turquoise | ■ Poly Silver Vein | ■ Red Letter      |
| ■ Rust          | ■ Silver Hammerstone | ■ Safety Yellow    | ■ Star Dust        | ■ Sulfur Yellow   |
| ■ Traffic Gray  | ■ Verdi              | ■ Water Blue       | ■ White Peel       |                   |

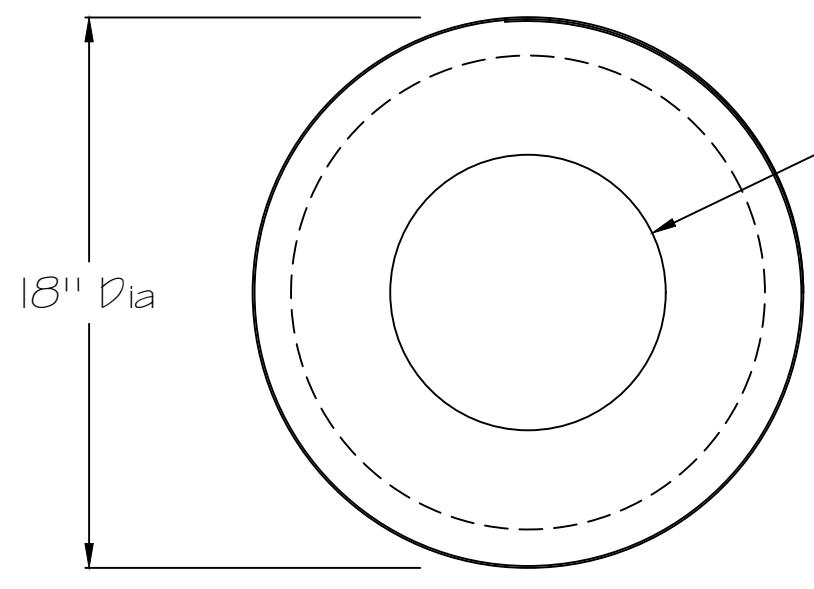
Sales Order: 12627-F	Trash Receptacle	
Item: n/a	No: RF-R-0504-35	
Finish: Bright Gold PC	<input type="checkbox"/> approved	Date 9/14/22
Other: n/a	<input type="checkbox"/> approved as noted	By MCO
	<input type="checkbox"/> not approved revise as noted	Scale N.T.S.



PHONE: 540.342.1548 FAX: 540.342.1417 WEB: RCLFING.COM

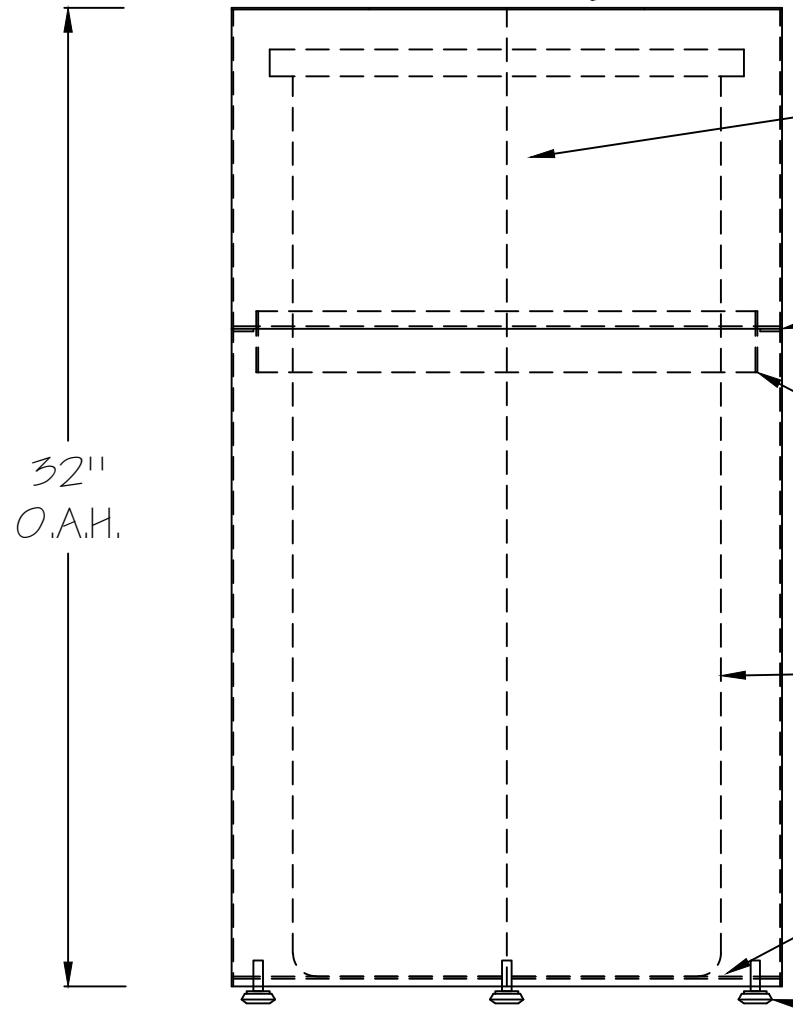
Renaissance reserves the right to make adjustments during fabrication to ensure product integrity, performance, and meet applicable UL standards.

Top View



Round open top with 9" diameter opening

Front View



Flat top with 9" diameter opening for trash to fall into liner

1/16 thick outer rolled bodies with overlapping seam in back

Two piece design allows top section to be lifted for access to liner for trash removal

Inner rolled band centers and interlocks sections together

35 gallon rigid plastic liner (Black) Provided by RCLF

Lower support plate

Adjustable nylon glide feet Typ x 4