

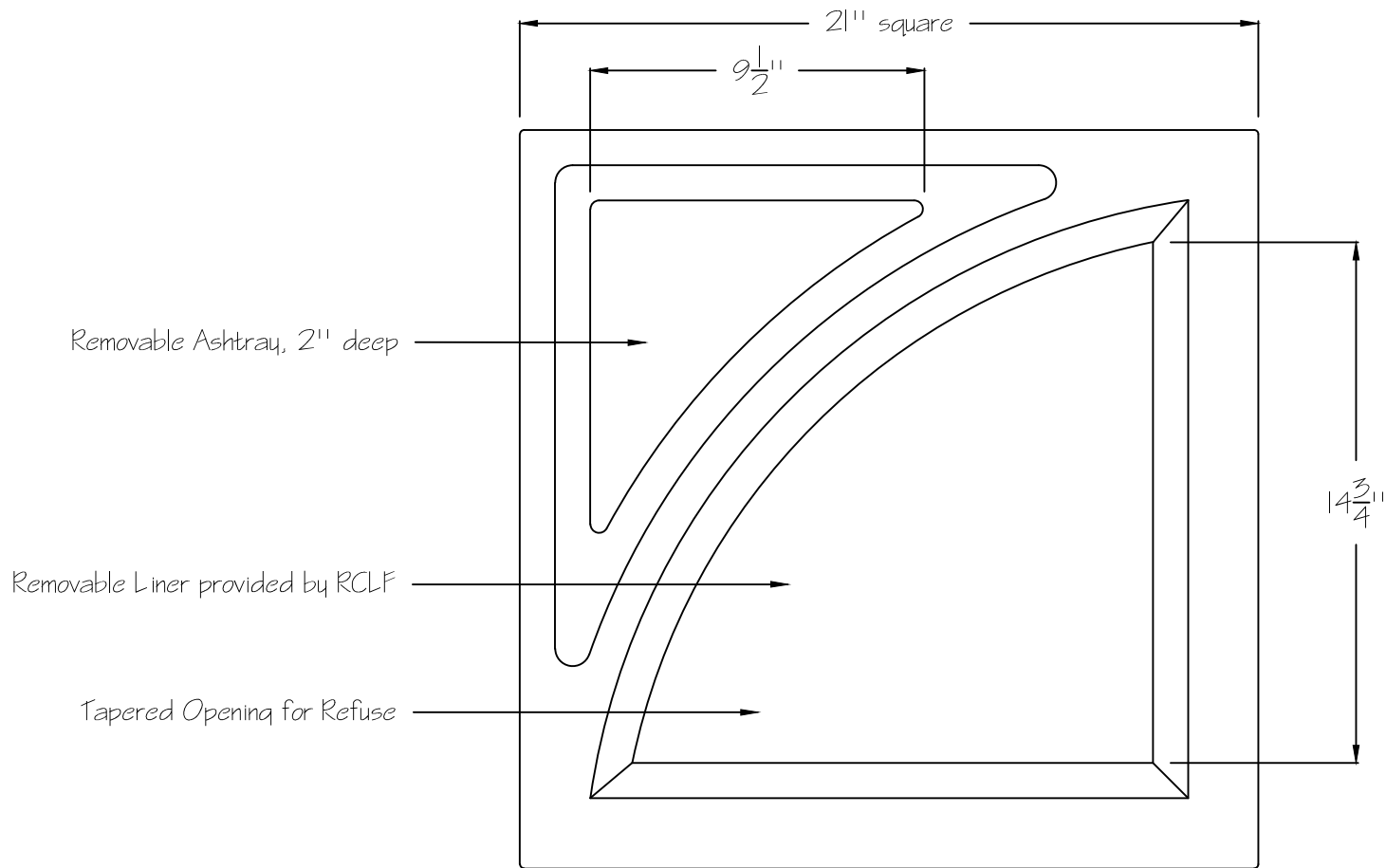
Sales Order: 13144-F	Tapered Trash Receptacle with Wooden Side Panels	
Item: AA-201.MU	No: RF-R-0506-26-FS-AT	
Finish: Powder Coat, Color to be Approved	<input type="checkbox"/> approved	Date 08.07.23
	<input type="checkbox"/> approved as noted	By MC
Other: To be Approved	<input type="checkbox"/> not approved revise as noted	Scale 1/4" = 1"



PHONE: 540.342.1548 FAX: 540.342.1417 WEB: RCLFING.COM

Renaissance reserves the right to make adjustments during fabrication to ensure product integrity, performance, and meet applicable UL standards.

Top View



Front View

