

RF-T-0536-96 · TABLES

# Picnic Table



**BUILT TO ORDER**  
 Every model is a starting point. Modify size, finish, mounting, and branding to suit the site.

**STANDARD CONFIGURATION**

Dimensions      Dimensions: 96" L x 36" W x 36"

**MATERIALS & CONSTRUCTION**

- Laser-cut and formed steel, fully welded.
- Fabricated under one roof in Roanoke, Virginia.
- Multi-stage marine-grade powder-coat finish.

**CUSTOMIZE**

- Size**                      Lengths, depths, and back height built to the dimension you specify.
- Finish**                    Any powder-coat color - 34 standard options, plus custom match.
- Mounting**                Surface, in-ground, or freestanding.
- Branding**                Laser-cut logos, plaques, and donor recognition integrated into the piece.

**WARRANTY**

Frame warranted against structural defect; powder-coat finish warranted against failure under normal public-realm use. Full terms on request.

**POWDER-COAT FINISHES**

34 standard colors · custom RAL match available

- |                 |                      |                    |                    |                   |
|-----------------|----------------------|--------------------|--------------------|-------------------|
| ■ Black Peel    | ■ Black Texture      | ■ Cappuccino       | ■ Cargo Black      | ■ Chocolate Brown |
| ■ Claret-Violet | ■ Classic Grey       | ■ Cobalt Blue      | ■ Light Ivory      | ■ Fence Red       |
| ■ Fir Green     | ■ Green-Blue         | ■ Gun Metal        | ■ Glossy White     | ■ Java            |
| ■ Lemon Yellow  | ■ Light Blue         | ■ Luna             | ■ Mineral Bronze   | ■ Nut Brown       |
| ■ Olive Patina  | ■ Oxblood            | ■ Pastel Turquoise | ■ Poly Silver Vein | ■ Red Letter      |
| ■ Rust          | ■ Silver Hammerstone | ■ Safety Yellow    | ■ Star Dust        | ■ Sulfur Yellow   |
| ■ Traffic Gray  | ■ Verdi              | ■ Water Blue       | ■ White Peel       |                   |

Sales Order: 8823-L  
 Item: BAR-103-CG  
 Finish: White Gloss Powder Coat - To be submitted for approval  
 RPS: Synthetic Teak - To be submitted for approval

# RENAISSANCE

approved  
 approved as noted  
 not approved revise as noted

Custom Communal Table  
 No: RF-T-0536-96 Date: 02.15.17  
 BY: MBC  
 Scale: 3/16"=1"

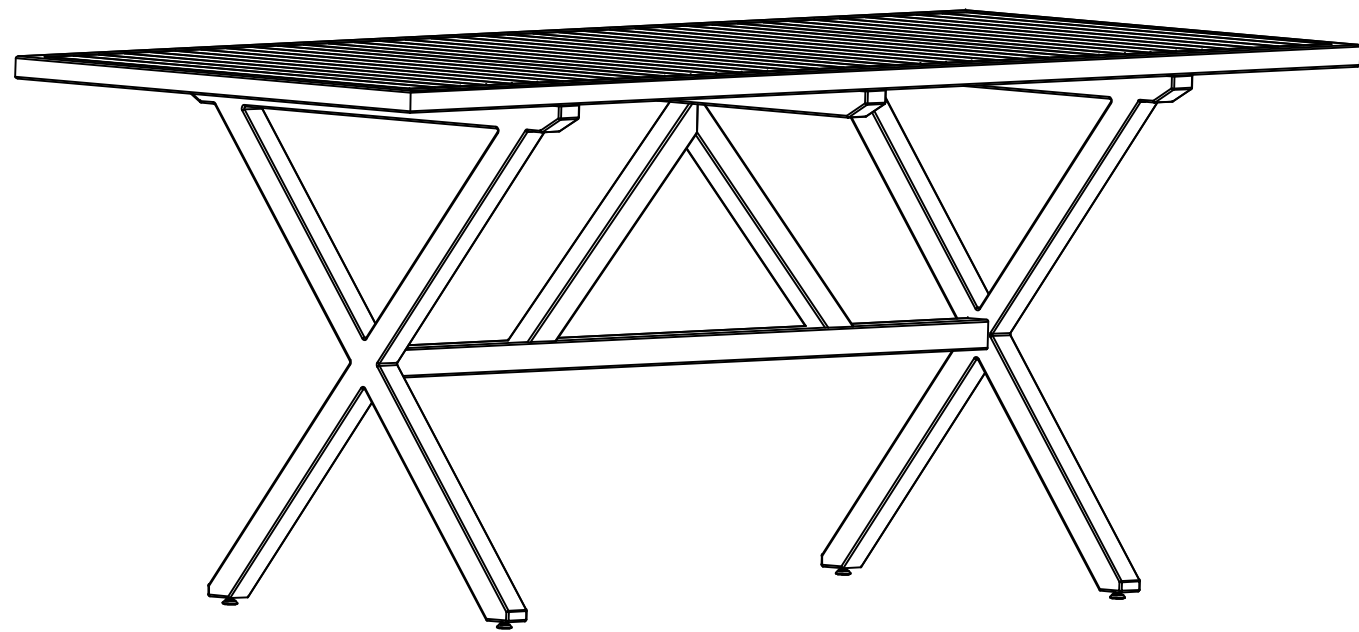
authorized signature \_\_\_\_\_ date \_\_\_\_\_



PHONE: 540.342.1548 FAX: 540.342.1417 WEB: RCLFING.COM

Renaissance reserves the right to make adjustments during fabrication to insure product integrity, performance, and meet applicable UL standards.

\* revised after review of customer redlines\_MC - 02.23.17



\* All metal to be protected from rust and corrosion.

1" x 3" ( 3/4" x 2-1/2" ) premium grade synthetic teak wood slats suitable for outdoor use, spaced 1/16" apart allowing water to drain.

synthetic teak wood slats are flush with top of metal frame

1-1/2" square tubing frame

