

RF-T-0537 · TABLES

Picnic Table



BUILT TO ORDER
 Every model is a starting point. Modify size, finish, mounting, and branding to suit the site.

STANDARD CONFIGURATION

Dimensions Dimensions: 60" L x 36" W x 30"

MATERIALS & CONSTRUCTION

- Laser-cut and formed steel, fully welded.
- Fabricated under one roof in Roanoke, Virginia.
- Multi-stage marine-grade powder-coat finish.

CUSTOMIZE

- Size** Lengths, depths, and back height built to the dimension you specify.
- Finish** Any powder-coat color - 34 standard options, plus custom match.
- Mounting** Surface, in-ground, or freestanding.
- Branding** Laser-cut logos, plaques, and donor recognition integrated into the piece.

WARRANTY

Frame warranted against structural defect; powder-coat finish warranted against failure under normal public-realm use. Full terms on request.


POWDER-COAT FINISHES

34 standard colors · custom RAL match available

- | | | | | |
|-----------------|----------------------|--------------------|--------------------|-------------------|
| ■ Black Peel | ■ Black Texture | ■ Cappuccino | ■ Cargo Black | ■ Chocolate Brown |
| ■ Claret-Violet | ■ Classic Grey | ■ Cobalt Blue | ■ Light Ivory | ■ Fence Red |
| ■ Fir Green | ■ Green-Blue | ■ Gun Metal | ■ Glossy White | ■ Java |
| ■ Lemon Yellow | ■ Light Blue | ■ Luna | ■ Mineral Bronze | ■ Nut Brown |
| ■ Olive Patina | ■ Oxblood | ■ Pastel Turquoise | ■ Poly Silver Vein | ■ Red Letter |
| ■ Rust | ■ Silver Hammerstone | ■ Safety Yellow | ■ Star Dust | ■ Sulfur Yellow |
| ■ Traffic Gray | ■ Verdi | ■ Water Blue | ■ White Peel | |

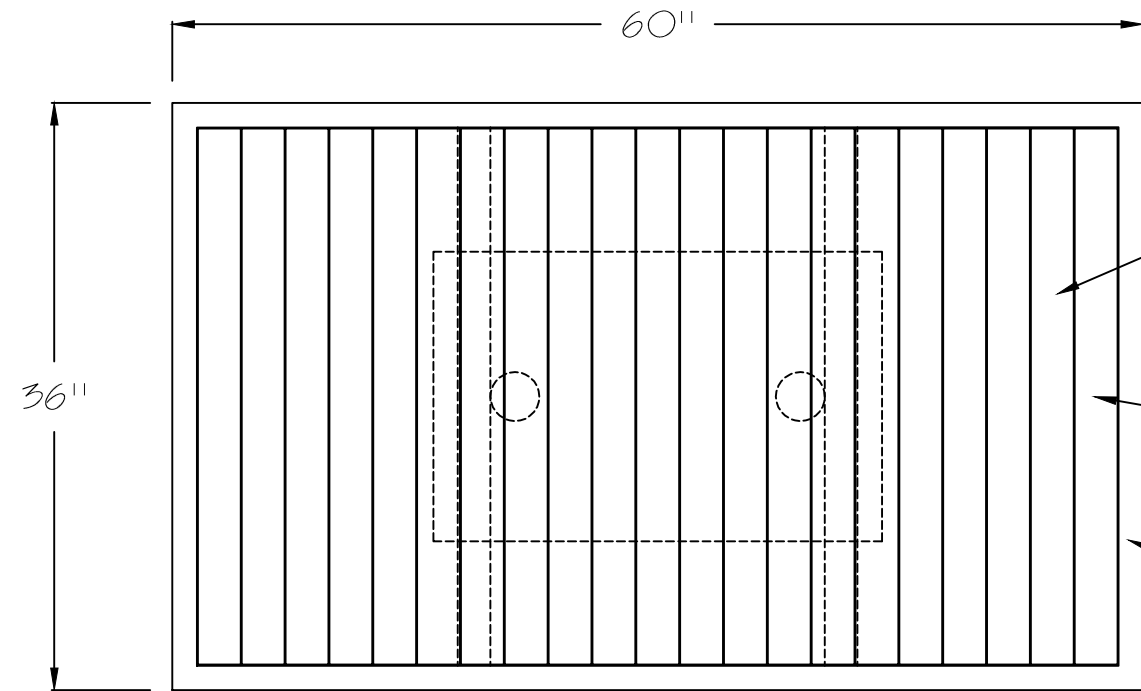
Sales Order: 8823-L
Item: BAR-107-CG
Finish: Star Dust Powder Coat
RPS: Synthetic Teak

RENAISSANCE

<input type="checkbox"/> approved <input type="checkbox"/> approved as noted <input type="checkbox"/> not approved revise as noted	Custom Rectangular Table	
	No. RF-T-0537	Date 02.15.17
authorized signature _____ date _____		By MBC
		Scale 3/16"=1"

PHONE: 540.342.1548 FAX: 540.342.1417 WEB: RCLFIND.COM

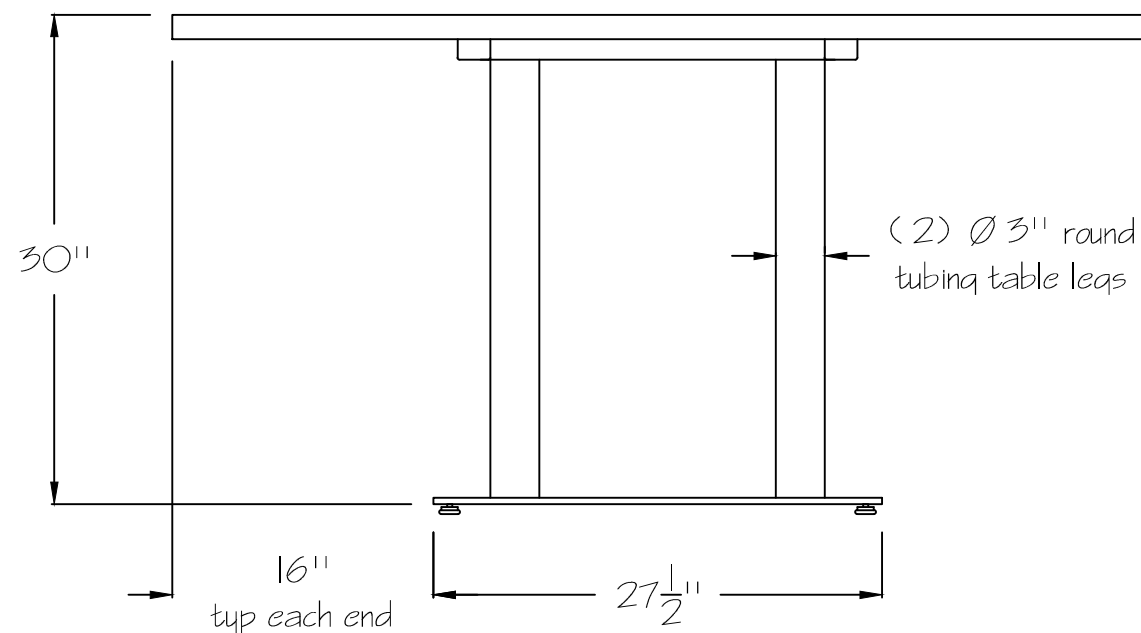
Renaissance reserves the right to make adjustments during fabrication to insure product integrity, performance, and meet applicable UL standards.



1" x 3" ($\frac{3}{4}$ " x 2- $\frac{1}{2}$ ") premium grade synthetic teak wood slats suitable for outdoor use, spaced $\frac{1}{16}$ " apart allowing water to drain.

synthetic teak wood slats are flush with top of metal frame

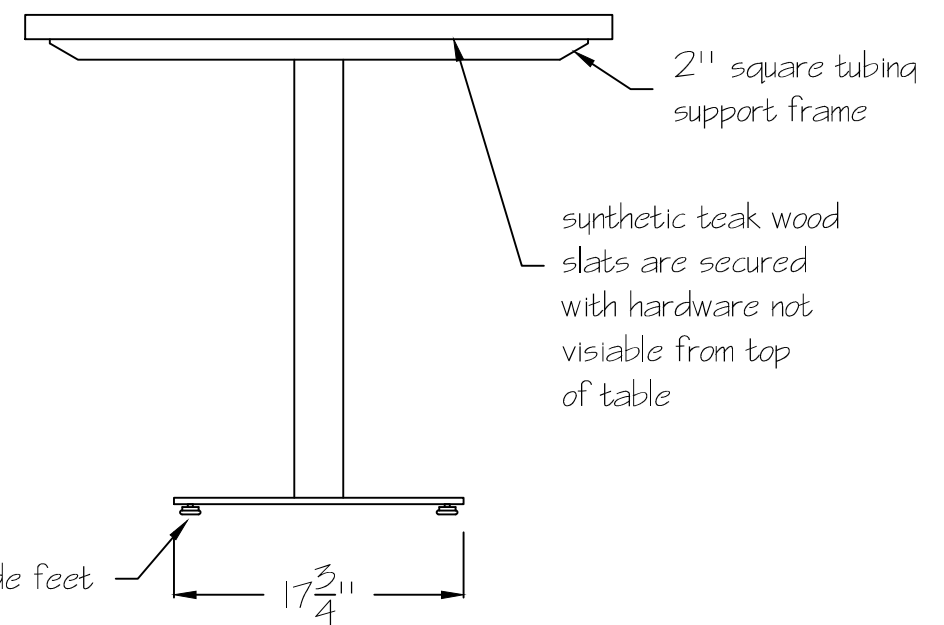
1- $\frac{1}{2}$ " square tubing frame



(2) \varnothing 3" round tubing table legs

16" up each end

27 $\frac{1}{2}$ "



2" square tubing support frame

synthetic teak wood slats are secured with hardware not visible from top of table

adjustable nylon glide feet

17 $\frac{3}{4}$ "