

RF-T-0538 · TABLES

Table



STANDARD CONFIGURATION

Dimensions Dimensions: 51" L x 26" W x 18"

MATERIALS & CONSTRUCTION

- Laser-cut and formed steel, fully welded.
- Fabricated under one roof in Roanoke, Virginia.
- Multi-stage marine-grade powder-coat finish.

POWDER-COAT FINISHES

- | | | | | |
|-----------------|----------------------|--------------------|--------------------|-------------------|
| ■ Black Peel | ■ Black Texture | ■ Cappuccino | ■ Cargo Black | ■ Chocolate Brown |
| ■ Claret-Violet | ■ Classic Grey | ■ Cobalt Blue | ■ Light Ivory | ■ Fence Red |
| ■ Fir Green | ■ Green-Blue | ■ Gun Metal | ■ Glossy White | ■ Java |
| ■ Lemon Yellow | ■ Light Blue | ■ Luna | ■ Mineral Bronze | ■ Nut Brown |
| ■ Olive Patina | ■ Oxblood | ■ Pastel Turquoise | ■ Poly Silver Vein | ■ Red Letter |
| ■ Rust | ■ Silver Hammerstone | ■ Safety Yellow | ■ Star Dust | ■ Sulfur Yellow |
| ■ Traffic Gray | ■ Verdi | ■ Water Blue | ■ White Peel | |

34 standard colors · custom RAL match available

BUILT TO ORDER
 Every model is a starting point. Modify size, finish, mounting, and branding to suit the site.

CUSTOMIZE

- Size** Lengths, depths, and back height built to the dimension you specify.
- Finish** Any powder-coat color - 34 standard options, plus custom match.
- Mounting** Surface, in-ground, or freestanding.
- Branding** Laser-cut logos, plaques, and donor recognition integrated into the piece.

WARRANTY

Frame warranted against structural defect; powder-coat finish warranted against failure under normal public-realm use. Full terms on request.

Sales Order: 8823-L

Item: BAR-110-CG

Finish: Gloss White - To be submitted for approval

RENAISSANCE

- approved
- approved as noted
- not approved revise as noted

Custom Cocktail Table

No. RF-T-0538

Date 02.15.17



By MBC

Scale 3/16"=1"

authorized signature

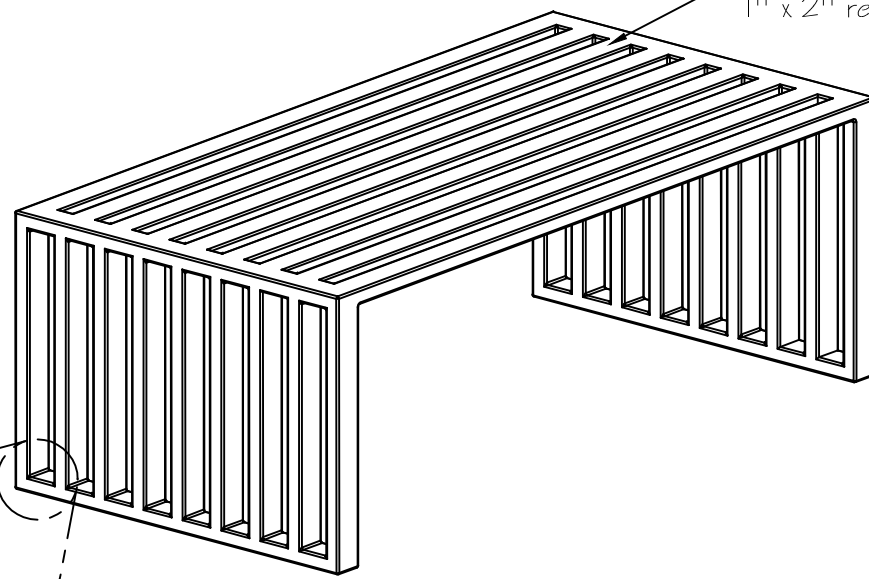
date

PHONE: 540.342.1548 FAX: 540.342.1417 WEB: ROLFING.COM

Renaissance reserves the right to make adjustments during fabrication to insure product integrity, performance, and meet applicable UL standards.

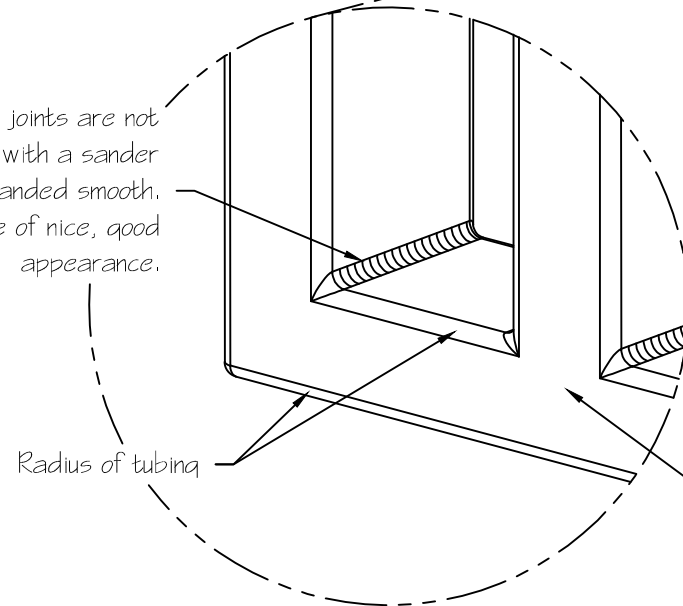
* revised after review of customer redlines_MC - 2.22.17

cocktail table constructed of
1" x 2" rectangular metal tubing



For outdoor use, all joints will be seam welded, flat areas, those accessible with a sander, will be sanded smooth.

Inner welded joints are not accessible with a sander and will not be sanded smooth. Welds will be of nice, good appearance.

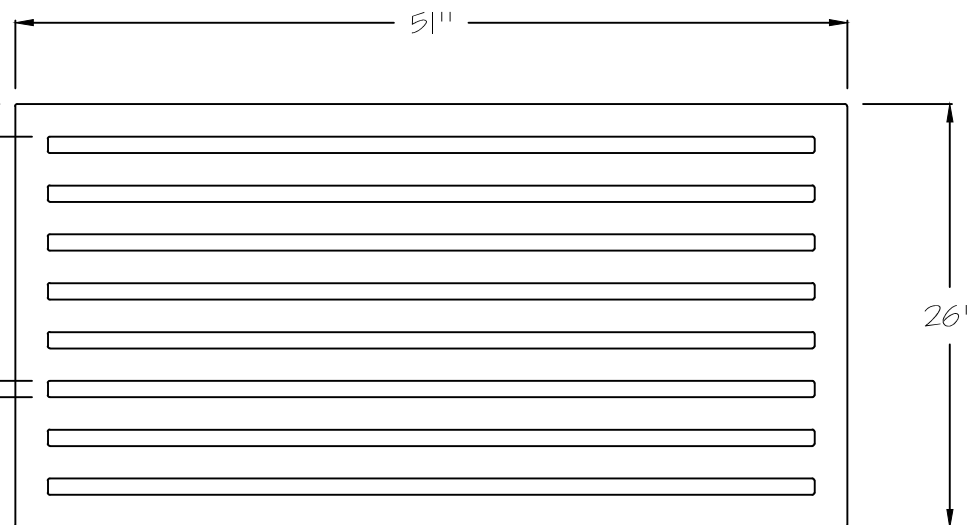


Radius of tubing

Welded joints on flat areas of table will be sanded smooth.

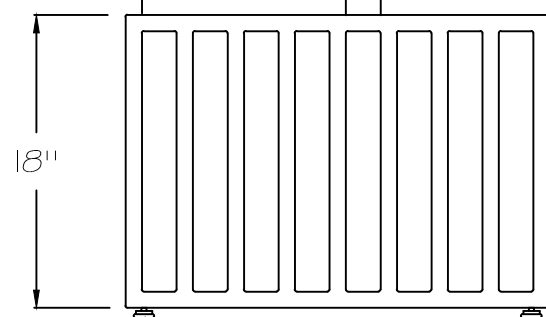
2" face of
1" x 2" rect tubing

1" top open spacing



1" face of
1" x 2" rect tubing

2 1/8" top open spacing



Adjustable nylon glide feet

1" face of
1" x 2" rect tubing

2" face of
1" x 2" rect tubing

