

T-1602 · TABLES

# Outdoor Dining Table



### STANDARD CONFIGURATION

Dimensions configured to order.

### MATERIALS & CONSTRUCTION

- Laser-cut and formed steel, fully welded.
- Fabricated under one roof in Roanoke, Virginia.
- Multi-stage marine-grade powder-coat finish.

### POWDER-COAT FINISHES

■ Black Peel	■ Black Texture	■ Cappuccino	■ Cargo Black	■ Chocolate Brown
■ Claret-Violet	■ Classic Grey	■ Cobalt Blue	■ Light Ivory	■ Fence Red
■ Fir Green	■ Green-Blue	■ Gun Metal	■ Glossy White	■ Java
■ Lemon Yellow	■ Light Blue	■ Luna	■ Mineral Bronze	■ Nut Brown
■ Olive Patina	■ Oxblood	■ Pastel Turquoise	■ Poly Silver Vein	■ Red Letter
■ Rust	■ Silver Hammerstone	■ Safety Yellow	■ Star Dust	■ Sulfur Yellow
■ Traffic Gray	■ Verdi	■ Water Blue	■ White Peel	

34 standard colors · custom RAL match available

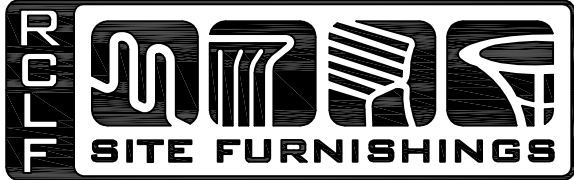
**BUILT TO ORDER**  
 Every model is a starting point. Modify size, finish, mounting, and branding to suit the site.

### CUSTOMIZE

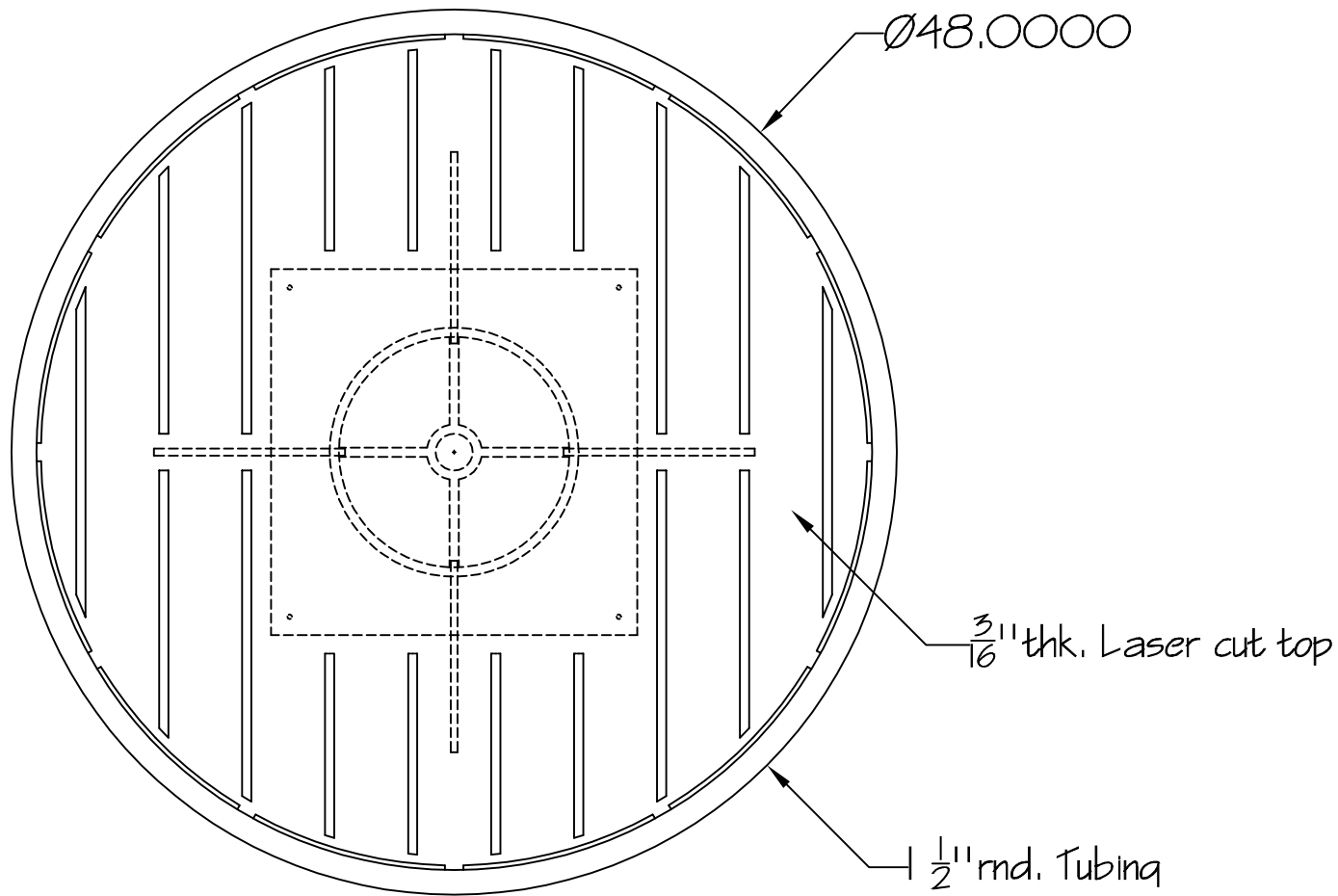
- Size** Lengths, depths, and back height built to the dimension you specify.
- Finish** Any powder-coat color - 34 standard options, plus custom match.
- Mounting** Surface, in-ground, or freestanding.
- Branding** Laser-cut logos, plaques, and donor recognition integrated into the piece.

### WARRANTY

Frame warranted against structural defect; powder-coat finish warranted against failure under normal public-realm use. Full terms on request.

sales order 0000		Custom Table	date 10/16/14	
item 0000		No. T-1602	scale 3/32"=1"	
finish	TBD	<input type="checkbox"/> approved <input type="checkbox"/> approved as noted <input type="checkbox"/> not approved revise as noted		
PHONE 540.342.1548 FAX 540.342.1417 WEB RCLFINC.COM				

## Top View



## Front Elevation

