

TR-1920-32-SM-GCPS-TRIDENT · LITTER, RECYCLING & ASH

# Trident Trash Receptacle



## STANDARD CONFIGURATION

Dimensions configured to order.

## MATERIALS & CONSTRUCTION

- Laser-cut and formed steel, fully welded.
- Fabricated under one roof in Roanoke, Virginia.
- Multi-stage marine-grade powder-coat finish.

## BUILT TO ORDER

Every model is a starting point. Modify size, finish, mounting, and branding to suit the site.

## CUSTOMIZE

- Size** Lengths, depths, and back height built to the dimension you specify.
- Finish** Any powder-coat color, standard or custom match.
- Mounting** Surface, in-ground, or freestanding.
- Branding** Laser-cut logos, plaques, and donor recognition integrated into the piece.

## WARRANTY

Frame warranted against structural defect; powder-coat finish warranted against failure under normal public-realm use. Full terms on request.

Sales Order: 10766-F

Custom Trash Receptacle

Date 6/26/19

Item: n/a

TR-1920-32-SM-GCPS-Trident

Scale N.T.S

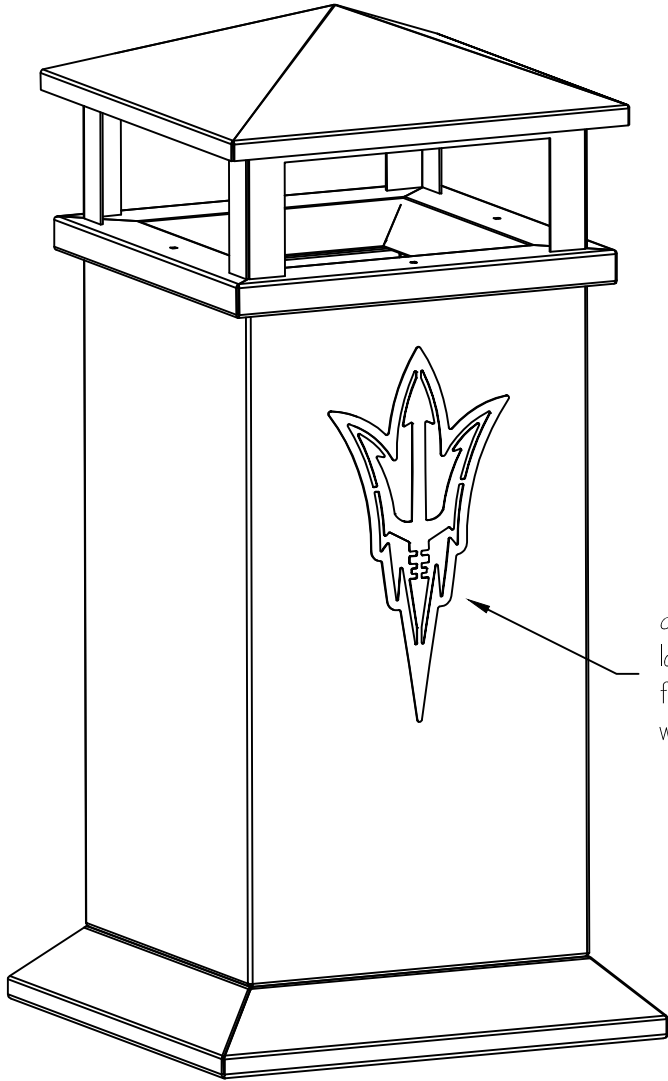
Finish: Navy RAL 5011 w/ Gold RAL 1033 Logo

- approved
- approved as noted
- not approved revise as noted

PHONE 540.342.1548 FAX 540.342.1417  
WEB RCLFINC.COM

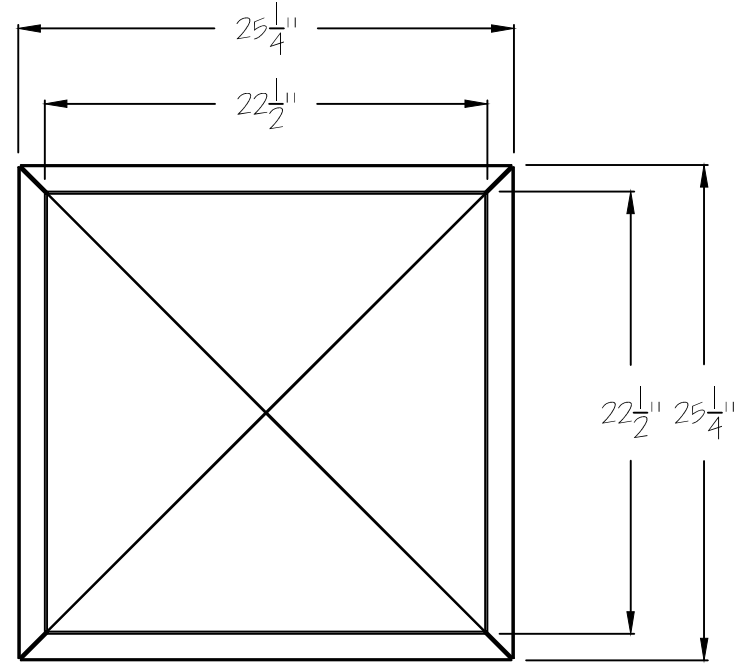


Front ISO View

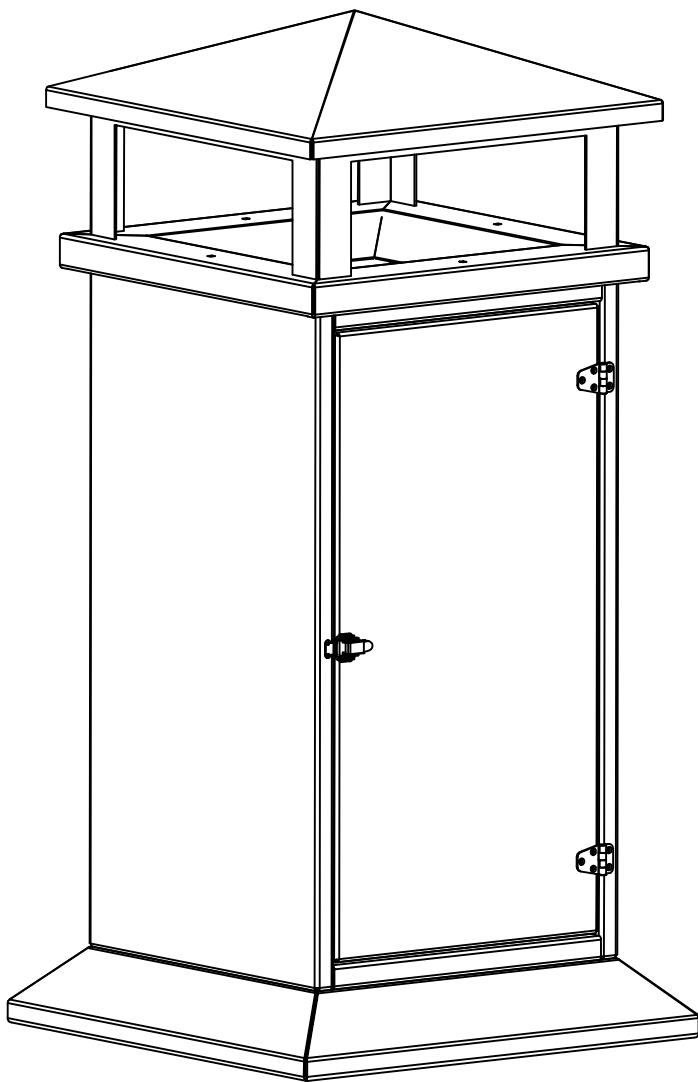


custom laser cut  
logo secured to  
front of receptacle  
with hidden fasteners

Top View



Rear ISO View



Rear Elevation

