



Sales Order: 8673-F

Custom Trash Receptacle

Date 10/21/15

Item: n/a

TR-1920-32-SM-TOV

Scale N.T.S

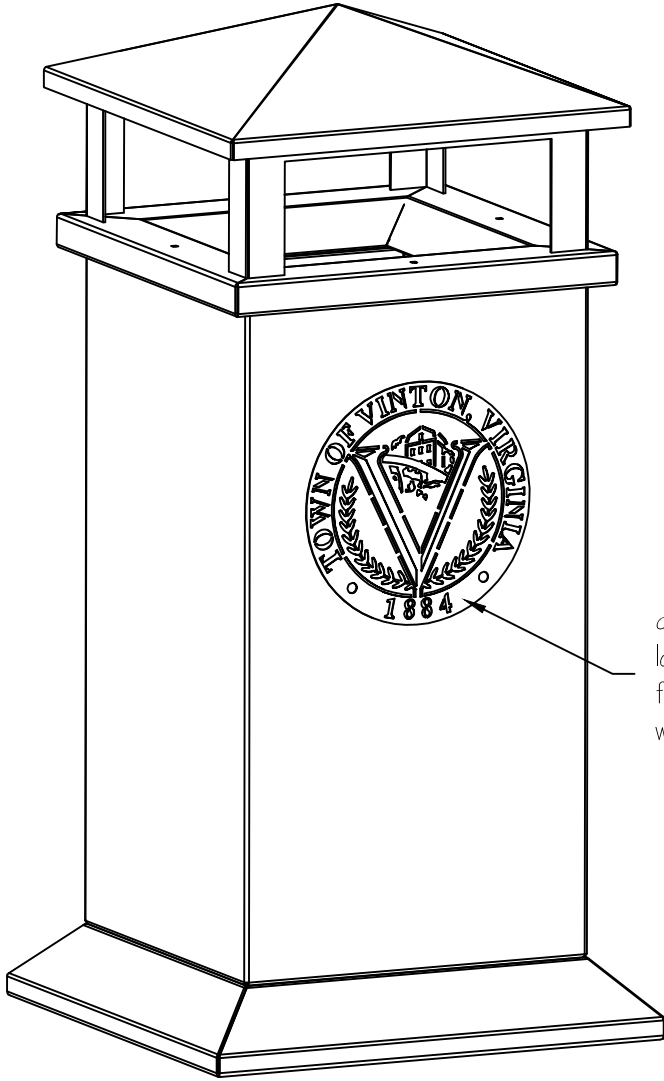
Finish: Black Texture w/ Poly Silver Vein Logo

- approved
- approved as noted
- not approved revise as noted

PHONE 540.342.1548 FAX 540.342.1417  
WEB RCLFINC.COM

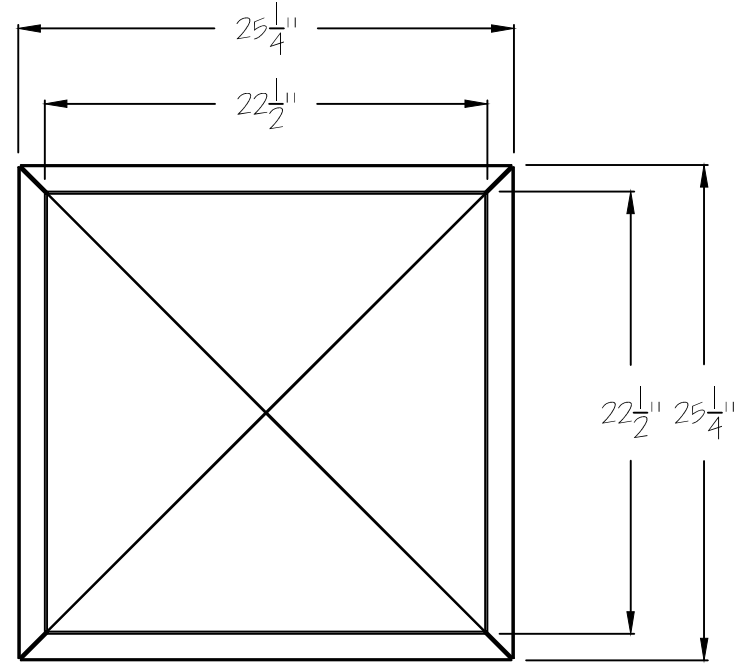


Front ISO View

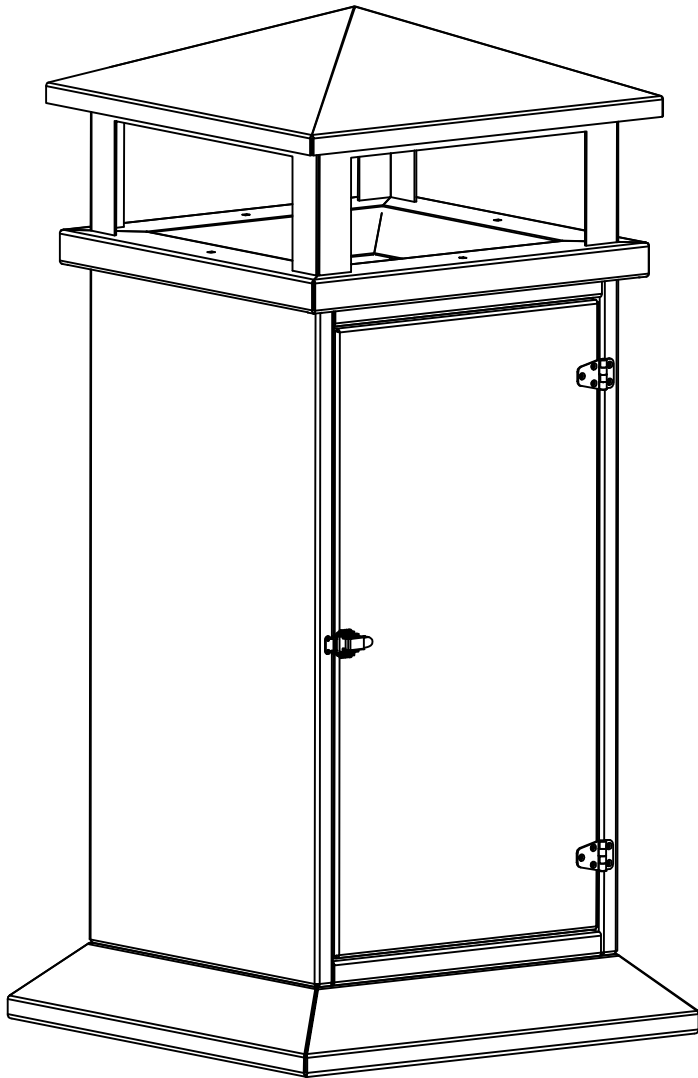


custom laser cut  
logo secured to  
front of receptacle  
with hidden fasteners

Top View



Rear ISO View



Rear Elevation

