

TR-1922 · LITTER, RECYCLING & ASH

Riverwalk Trash Receptacle



BUILT TO ORDER
 Every model is a starting point. Modify size, finish, mounting, and branding to suit the site.

STANDARD CONFIGURATION

Dimensions Capacity: 23 Gallons | Dimension: H | 46" W 26.5"

MATERIALS & CONSTRUCTION

- Laser-cut and formed steel, fully welded.
- Fabricated under one roof in Roanoke, Virginia.
- Multi-stage marine-grade powder-coat finish.

CUSTOMIZE

- Size** Lengths, depths, and back height built to the dimension you specify.
- Finish** Any powder-coat color - 34 standard options, plus custom match.
- Mounting** Surface mount, Freestanding / portable.
- Branding** Laser-cut logos, plaques, and donor recognition integrated into the piece.

ANCHORING & ORDER CODES

Surface mount **TR-1922-SM**
 Freestanding / portable **TR-1922-FS**

WARRANTY

Frame warranted against structural defect; powder-coat finish warranted against failure under normal public-realm use. Full terms on request.

POWDER-COAT FINISHES

34 standard colors · custom RAL match available

- | | | | | |
|-----------------|----------------------|--------------------|--------------------|-------------------|
| ■ Black Peel | ■ Black Texture | ■ Cappuccino | ■ Cargo Black | ■ Chocolate Brown |
| ■ Claret-Violet | ■ Classic Grey | ■ Cobalt Blue | ■ Light Ivory | ■ Fence Red |
| ■ Fir Green | ■ Green-Blue | ■ Gun Metal | ■ Glossy White | ■ Java |
| ■ Lemon Yellow | ■ Light Blue | ■ Luna | ■ Mineral Bronze | ■ Nut Brown |
| ■ Olive Patina | ■ Oxblood | ■ Pastel Turquoise | ■ Poly Silver Vein | ■ Red Letter |
| ■ Rust | ■ Silver Hammerstone | ■ Safety Yellow | ■ Star Dust | ■ Sulfur Yellow |
| ■ Traffic Gray | ■ Verdi | ■ Water Blue | ■ White Peel | |

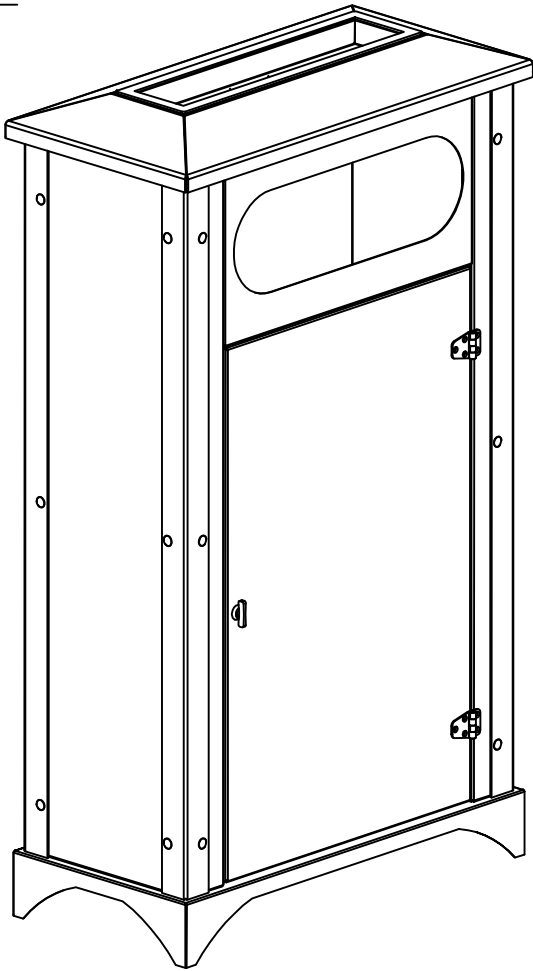
Sales Order: 12829-F	Trash Receptacle with Removable Ash Tray	
Item: n/a	No: TR-1922-23-AT	
Finish: Primer and Powder Coat, Color TBD	<input type="checkbox"/> approved	Date 1/20/23
	<input type="checkbox"/> approved as noted	By MC
23 Gallon Plastic Liner Provided	<input type="checkbox"/> not approved revise as noted	Scale 3/32" = 1"



PHONE: 540.342.1548 FAX: 540.342.1417 WEB: RCLFINC.COM

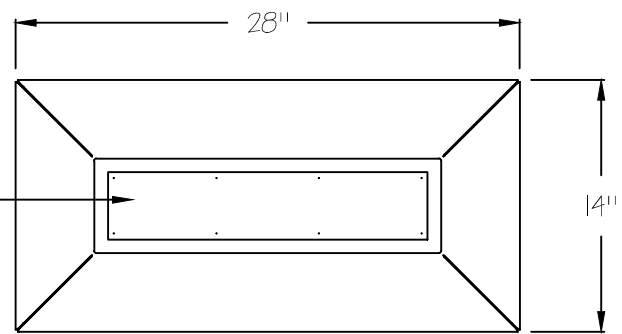
Renaissance reserves the right to make adjustments during fabrication to ensure product integrity, performance, and meet applicable UL standards.

ISO View

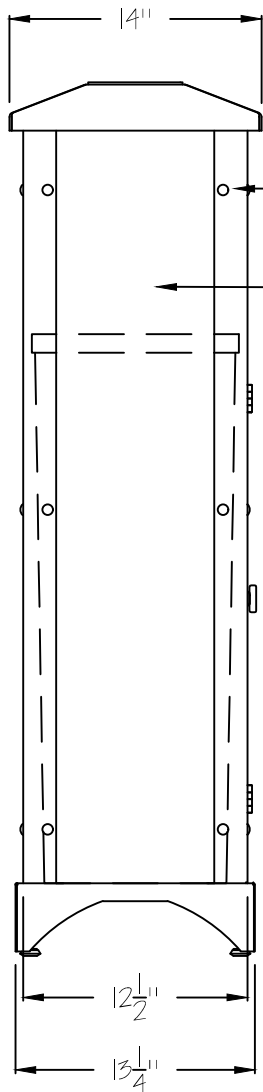


Top View

3-3/4" x 17-3/4" removable Ash Tray
(weep holes in bottom to help with potential puddling from rain)



Side View



Corner Trim secured to Body with smooth, round headed hardware

1/8" thick laser cut formed and welded steel construction

Front View

6" x 18-1/2" opening on Front Side only

Door for access to 23 gallon plastic liner (provided by RCLF)

Stainless Steel Wing-Handle, Non-locking Cam Latch

Stainless Steel Hinges

(4) nylon glide feet protect bottom edges

