

TR-1922-23-AT · LITTER, RECYCLING & ASH

Riverwalk Trash Receptacle



STANDARD CONFIGURATION

Dimensions configured to order.

MATERIALS & CONSTRUCTION

- Laser-cut and formed steel, fully welded.
- Fabricated under one roof in Roanoke, Virginia.
- Multi-stage marine-grade powder-coat finish.

BUILT TO ORDER


Every model is a starting point. Modify size, finish, mounting, and branding to suit the site.

CUSTOMIZE

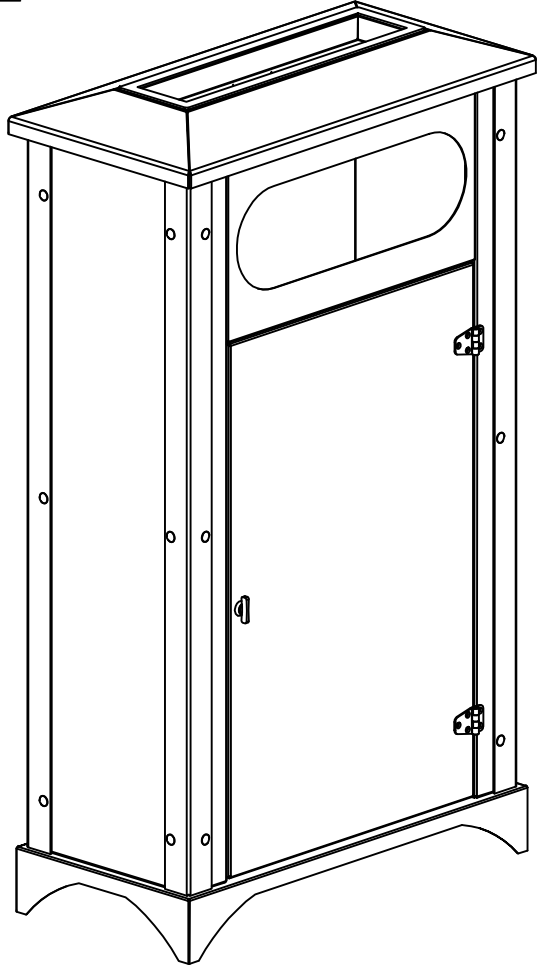
- Size** Lengths, depths, and back height built to the dimension you specify.
- Finish** Any powder-coat color, standard or custom match.
- Mounting** Surface, in-ground, or freestanding.
- Branding** Laser-cut logos, plaques, and donor recognition integrated into the piece.

WARRANTY

Frame warranted against structural defect; powder-coat finish warranted against failure under normal public-realm use. Full terms on request.

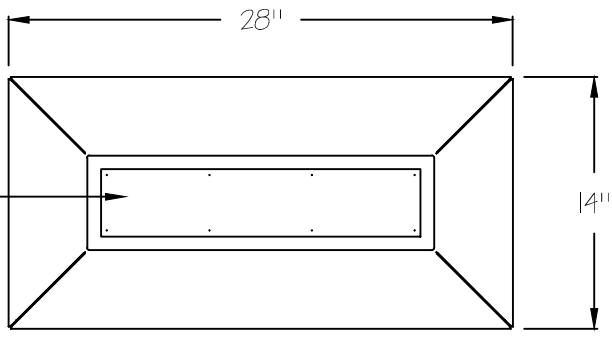
Sales Order: 12829-F	Trash Receptacle with Removable Ash Tray		
Item: n/a	No: TR-1922-23-AT		
Finish: Primer and Powder Coat, Color TBD	<input type="checkbox"/> approved <input type="checkbox"/> approved as noted <input type="checkbox"/> not approved revise as noted	Date 1/20/23 BU MC Scale 3/32" = 1"	
23 Gallon Plastic Liner Provided	PHONE: 540.342.1548 FAX: 540.342.1417 WEB: RCLFINC.COM		
			Renaissance reserves the right to make adjustments during fabrication to ensure product integrity, performance, and meet applicable UL standards.

ISO View

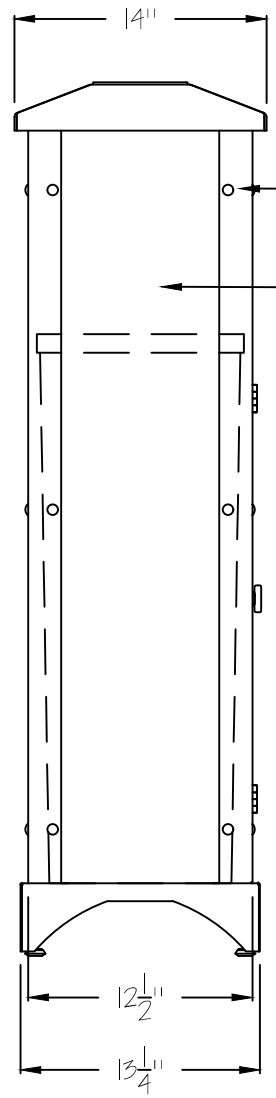


Top View

3-3/4" x 17-3/4"
removable Ash Tray
(weep holes in bottom to help
with potential puddling from rain)



Side View



Corner Trim secured to
Body with smooth, round
headed hardware

1/8" thick laser cut
formed and welded
steel construction

Front View

6" x 18-1/2" opening
on Front Side only

Door for access to
23 gallon plastic liner
(provided by RCLF)

Stainless Steel Wing-Handle,
Non-locking Cam Latch

Stainless Steel Hinges

(4) nylon glide feet
protect bottom edges

