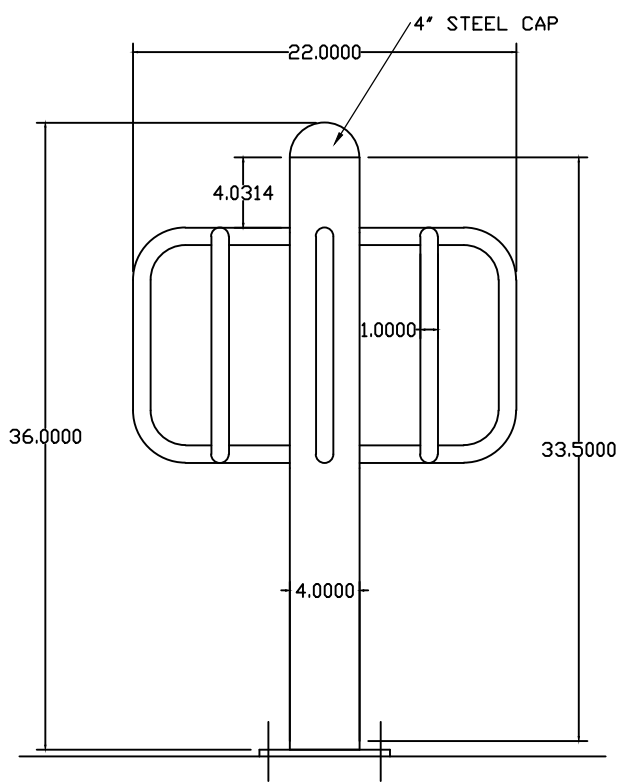


sales order 0000	Custom ???	Date 01-27-11
item 0000	N <sup>o</sup> . RF-0-0000	scale 1/4"=1"
finish TBD	<input type="checkbox"/> approved <input type="checkbox"/> approved as noted <input type="checkbox"/> not approved revise as noted	
PHONE 540.342.1548 FAX 540.342.1417 WEB RCLFIND.COM		



BOLT DOWN WITH  
WELDED ARMS

