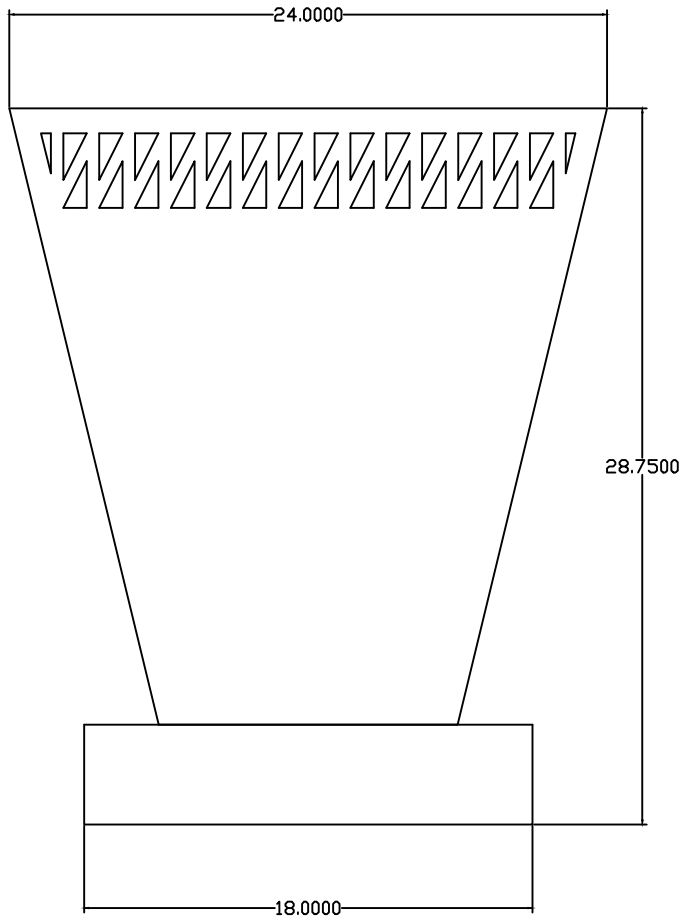


sales order 0000		Custom ???	Date 01-27-11
item 0000		No. P-2025-24	Scale 1/4"=1"
finish	TSP	<input type="checkbox"/> approved <input type="checkbox"/> approved as noted <input type="checkbox"/> not approved revise as noted	
PHONE 540.342.1548 FAX 540.342.1417 WEB RCLFNC.COM			



ALL 11GA MATERIAL