

Sales Order: 11578-F	Custom Towel Receptacle	
Item: n/a	No: RF-R-0009-HCC	
Finish: Gun Metal Powder Coat	<input type="checkbox"/> approved	Date 10.16.20
Other: n/a	<input type="checkbox"/> approved as noted	By MBC
	<input type="checkbox"/> not approved revise as noted	Scale 1/8" = 1'

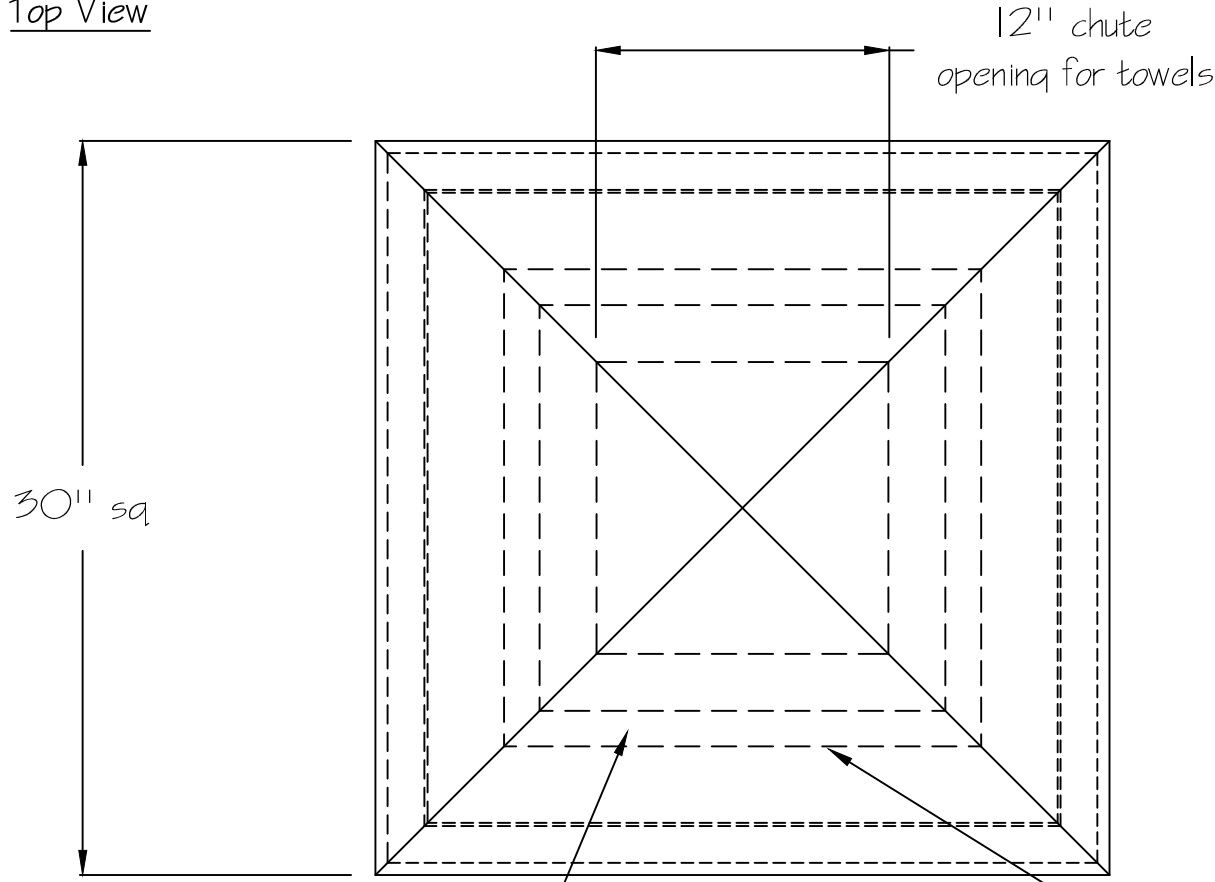


PHONE: 540.342.1548 FAX: 540.342.1417 WEB: RCLFING.COM

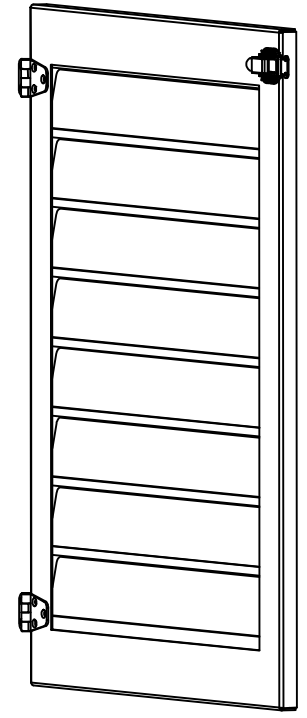
Renaissance reserves the right to make adjustments during fabrication to ensure product integrity, performance, and meet applicable UL standards.

* revised per red lines_MCO - 11/23/20
 * revised per red lines_MCO - 11/25/20

Top View

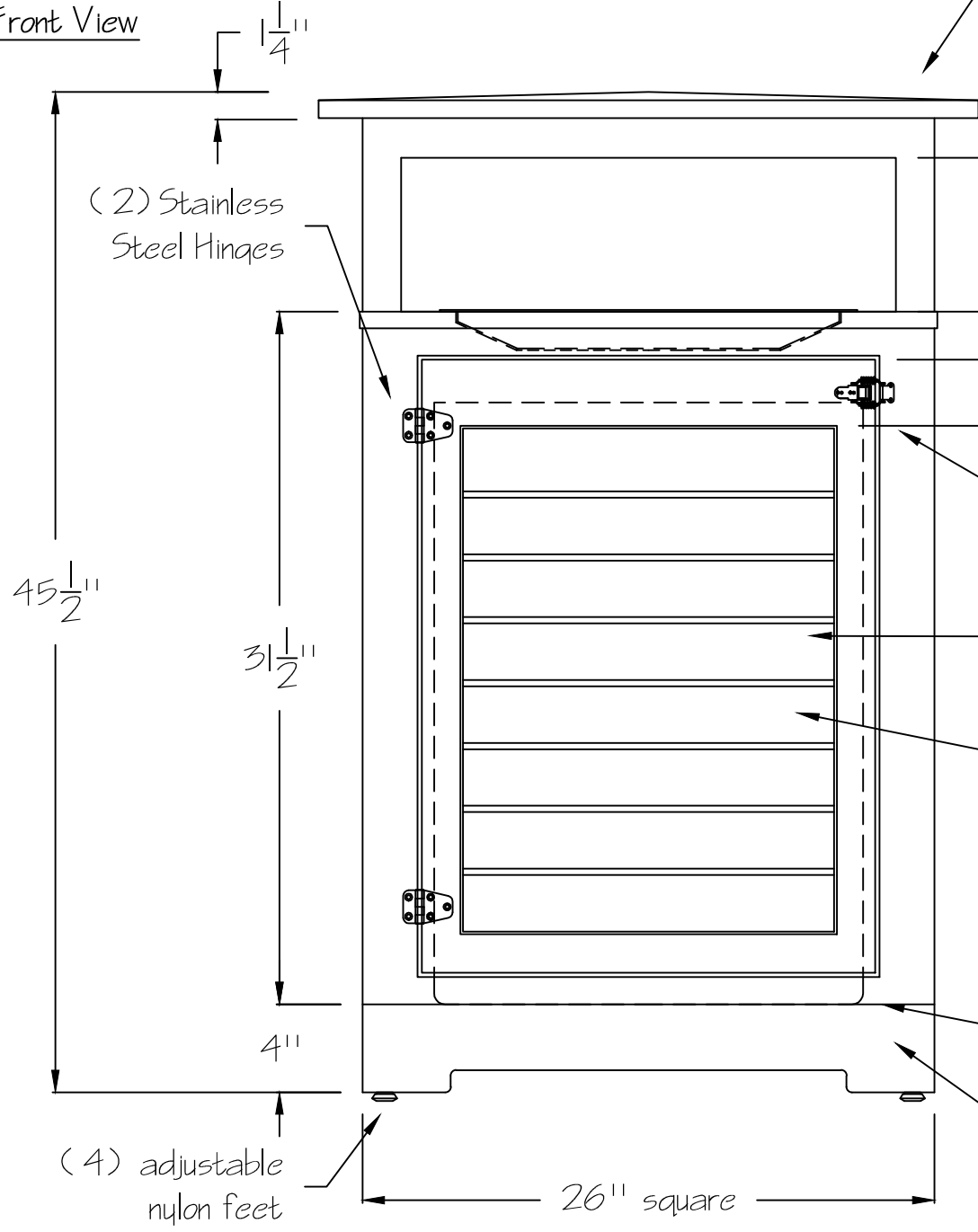


ISO View of Door with Louver Panel



Top is formed slightly upward corner to corner for water shed

Front View



7" x 22-1/2" opening for towels on each of the (4) sides

3" tall area for label (label provided by others)

Stainless Steel Tight Hold Draw Latch

Laser cut and formed louver panel secured to door with hidden hardware

Access Door with louvers on this side.

Other (3) sides to have same louver detail. Angle of louvers to be as shown

Inner liner rests on top plate of skirt

Laser cut and formed bottom skirt

Section View of Side

