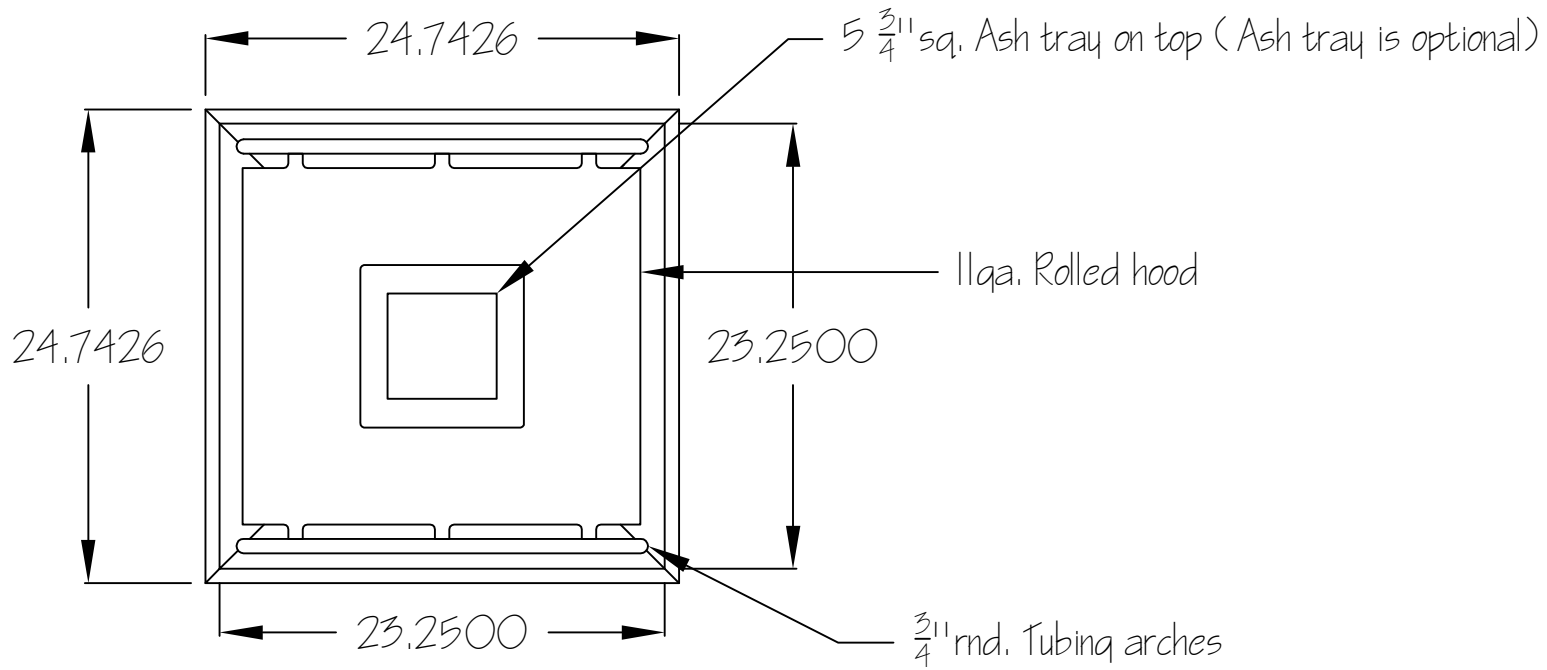


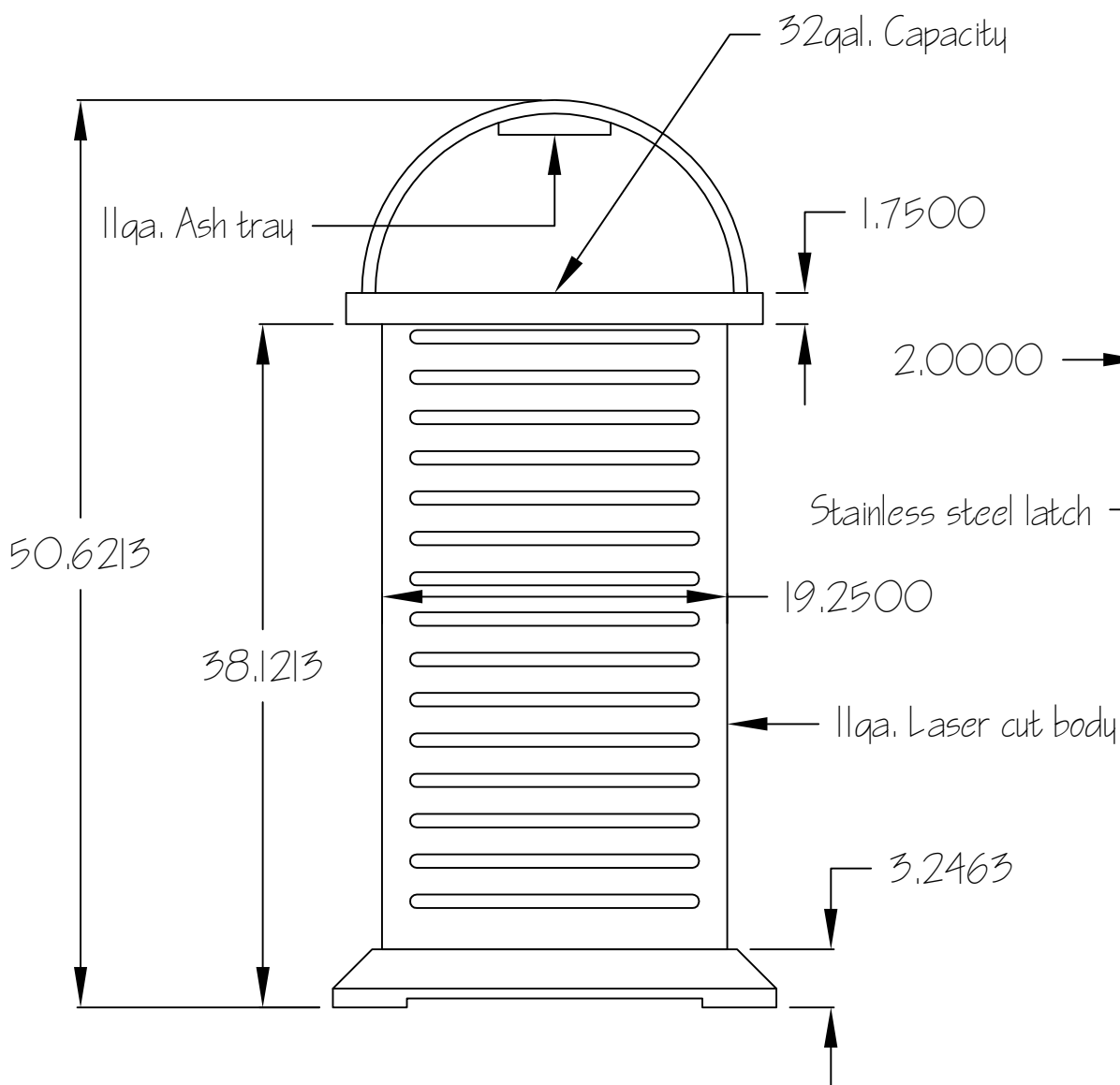
| | | | |
|--|-----|--|----------------|
| sales order 0000 | | Custom Trash Receptacle | date 10/28/14 |
| item 0000 | | No. 1R-1925-32 | scale 3/32"=1" |
| finish | TBD | <input type="checkbox"/> approved <input type="checkbox"/> approved as noted <input type="checkbox"/> not approved revise as noted | |
| PHONE 540.342.1548 FAX 540.342.1417 WEB RCLFINC.COM | | | |



Top View



Front Elevation



Rear Elevation

