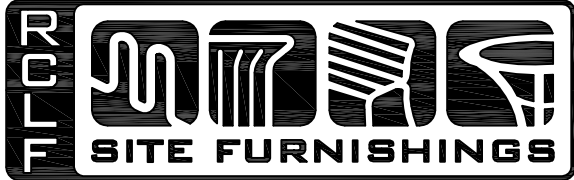
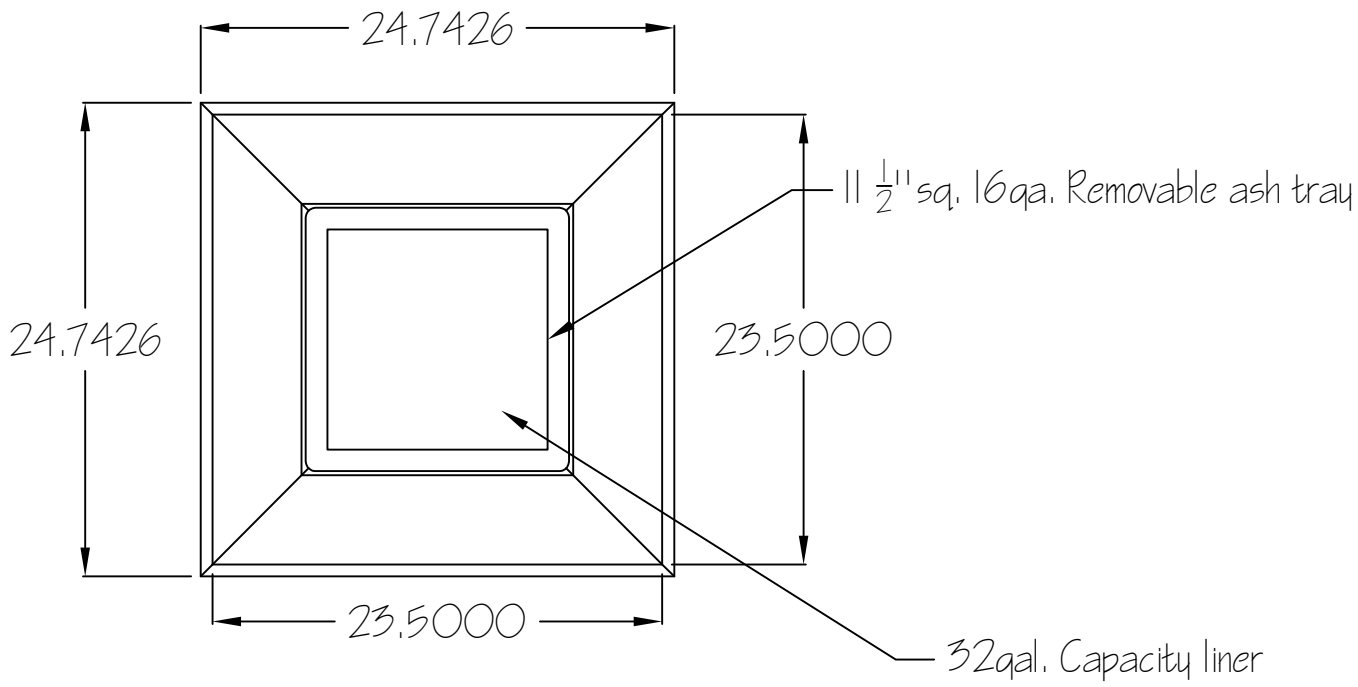
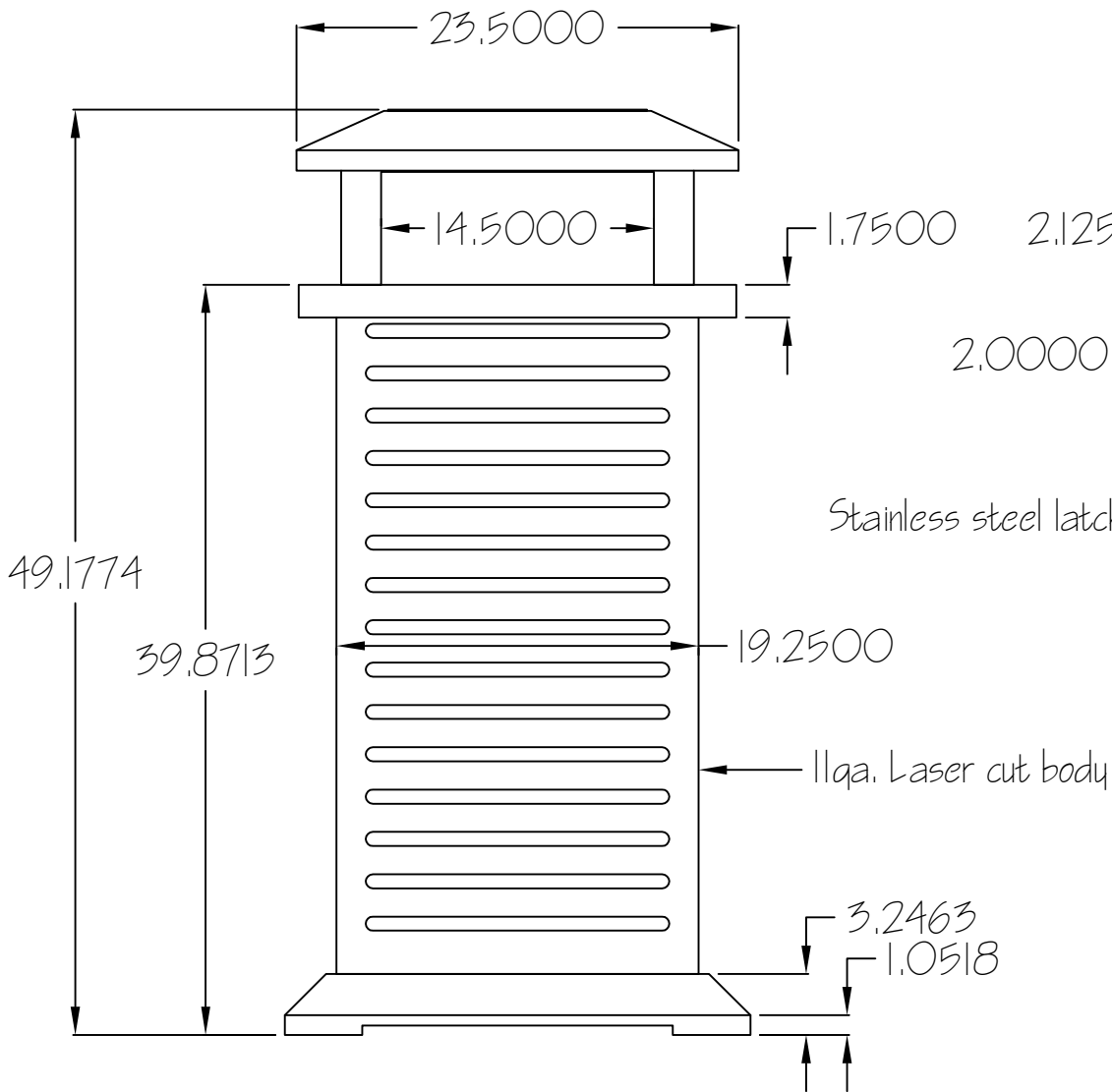


sales order 0000		Custom Trash Receptacle	Date 11/4/14	
Item 0000		No. 1R-1935-32	Scale 3/32"=1"	
finish	TBD	<input type="checkbox"/> approved <input type="checkbox"/> approved as noted <input type="checkbox"/> not approved revise as noted		
PHONE 540.342.1548 FAX 540.342.1417 WEB RCLFINC.COM				

### Top View



### Front Elevation



### Rear Elevation

