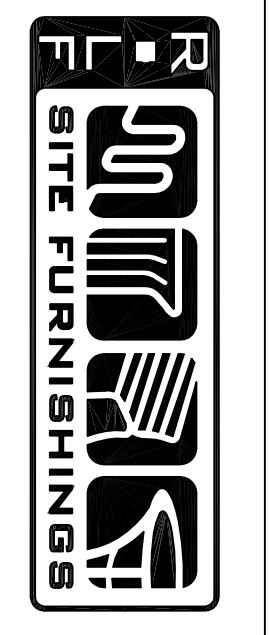


sales order 5743
 item 0000
 finish 13D
 PHONE 540.342.1548 FAX 540.342.1417
 WEB RCLFINC.COM

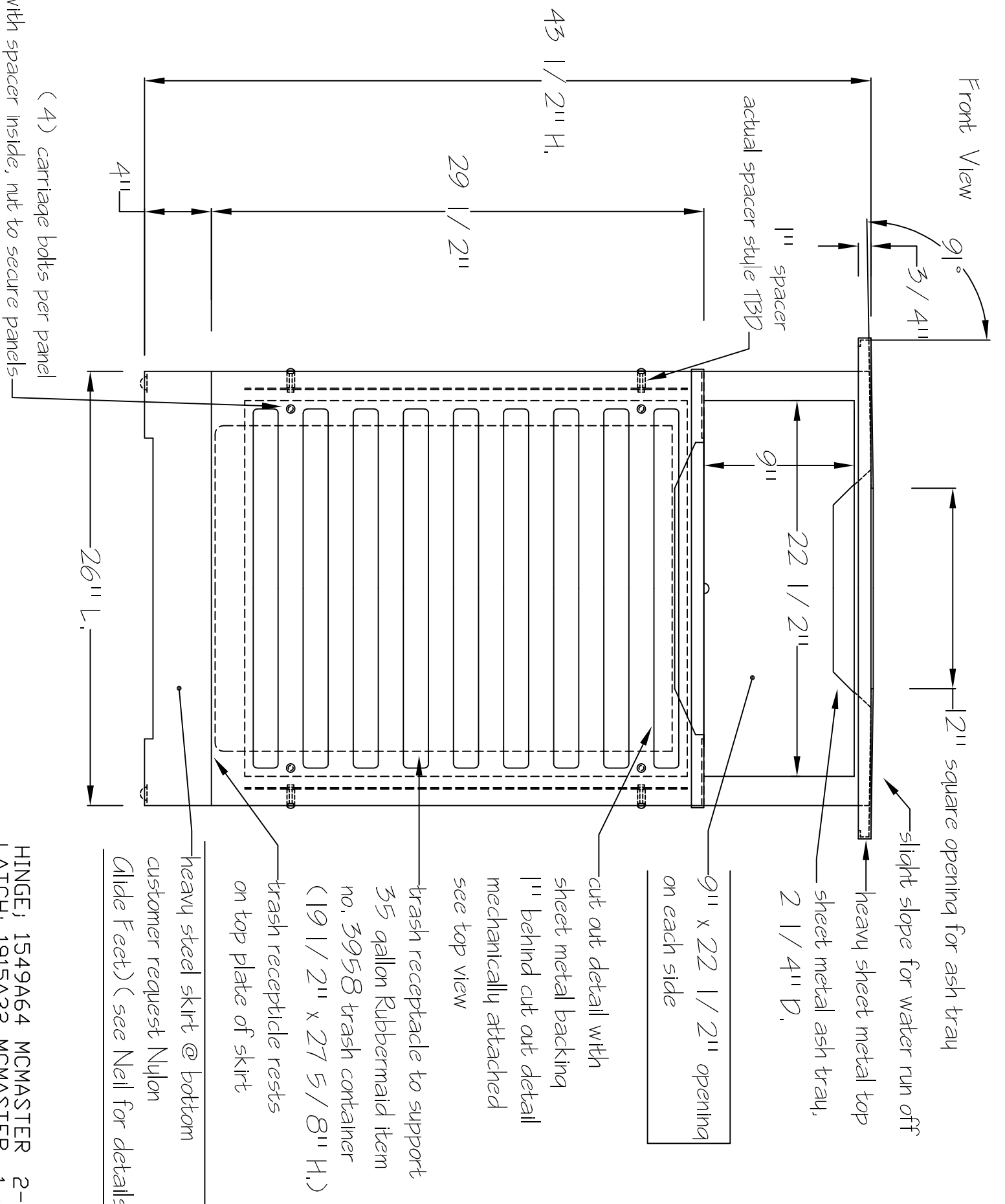
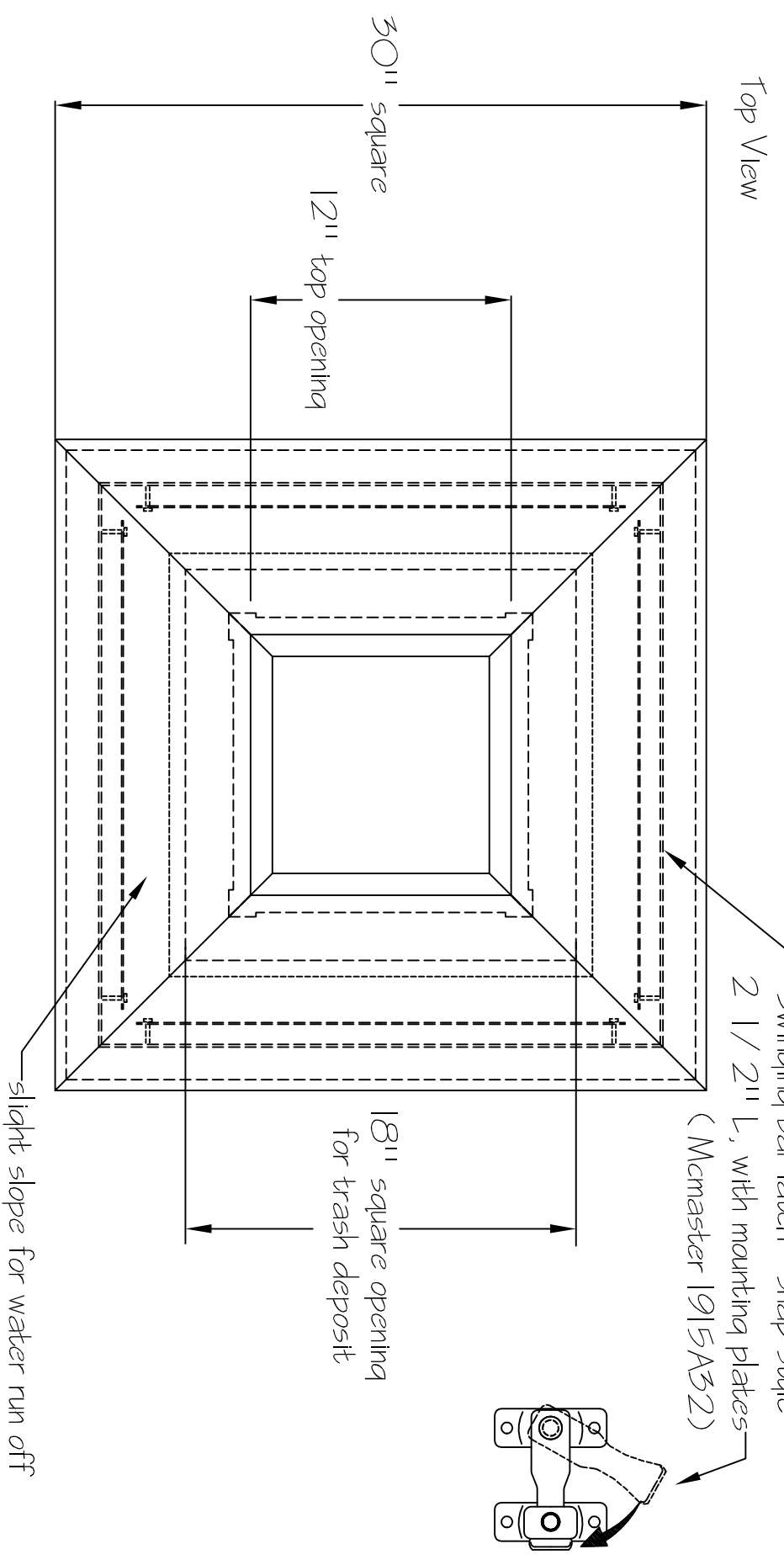
Custom Trash Receptacle
 No. RF-R-0009
 Date 05-02-15
 Scale 1/8"=1"
 approved
 approved as noted
 not approved revise as noted



35 gallon Rubbermaid item no. 3958
 trash container (19 1/2" x 27 5/8" H.)

back of receptacle hinged opening for access
 to trash container (see sketch) with latch

* sketch only, drawing not for fabrication
 * revised details 05-29-15
 * revised details 05-28-15
 * revised details 05-31-15
 * revised details 06-03-15



HINGE; 1549A64 MCMASTER 2-req.
 LATCH; 1915A32 MCMASTER 1-req.