

sales order 0000

Custom ???

Date 10/2/13

item 0000

N<sup>o</sup>: TR-D,A,R,T-CUSTOM

Scale N.T.S

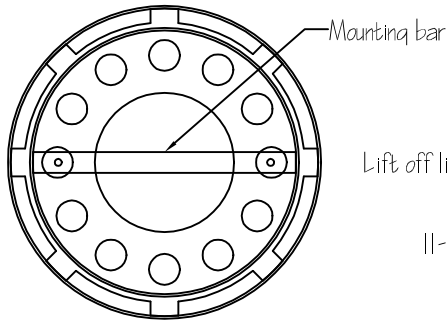
finish TBD

- approved
- approved as noted
- not approved revise as noted

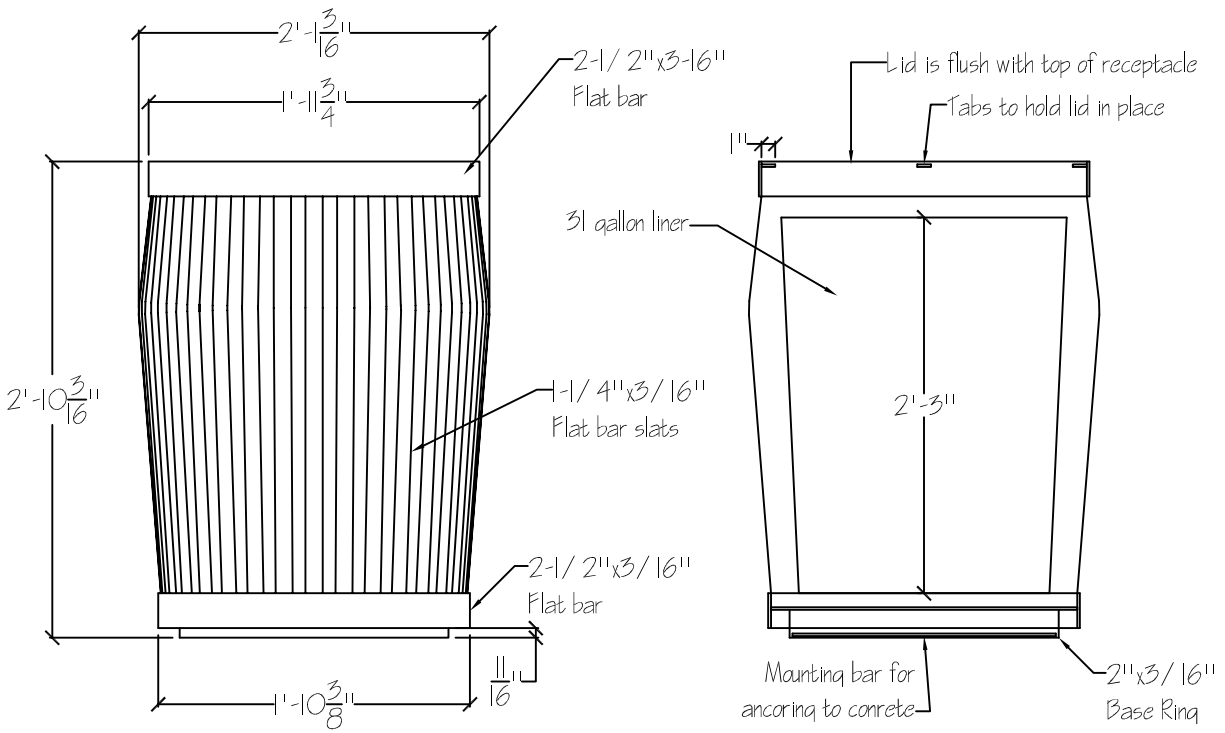
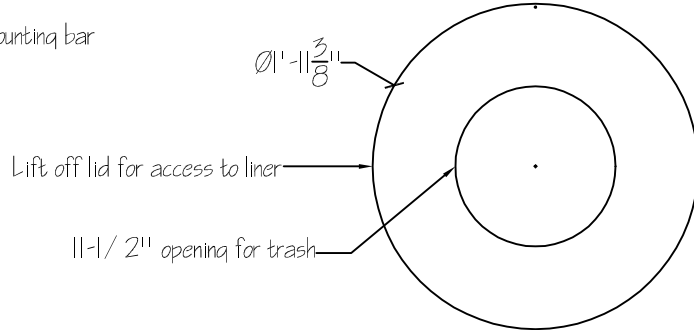


PHONE 540.342.1548 FAX 540.342.1417  
 WEB RCLFING.COM

Base Detail



Lid Detail



Front Elevation

Cut Away View To Show Liner, Tabs, And Base Detail