

Sales Order: 7344-F
 Item: Custom Trash Receptacle w/ DL-2 Lid
 Finish: Fir Green Powder Coat & Recycled Plastic Slats
 PHONE 540.342.1548 FAX 540.342.1417
 WEB RCLFING.COM

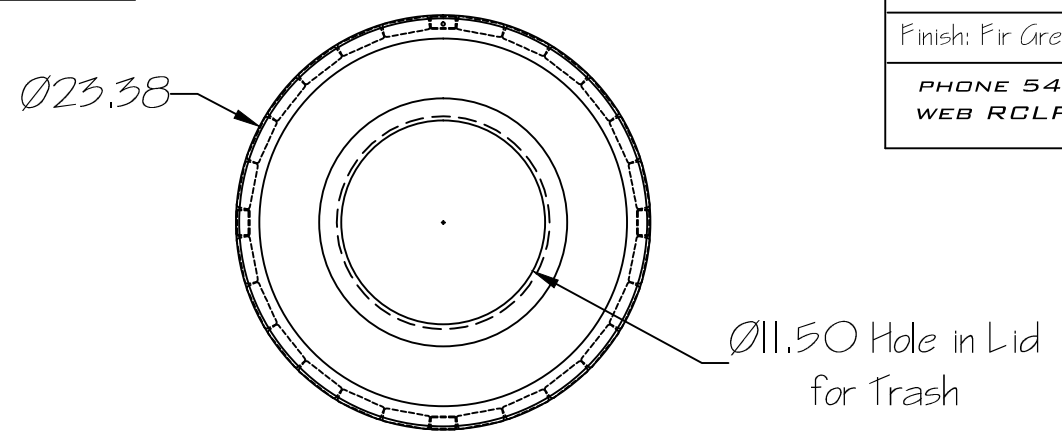
Custom Trash Receptacle
 No. TR-1954-30-1G
 Date: 7.22.15
 Scale NTS

approved
 approved as noted
 not approved revise as noted

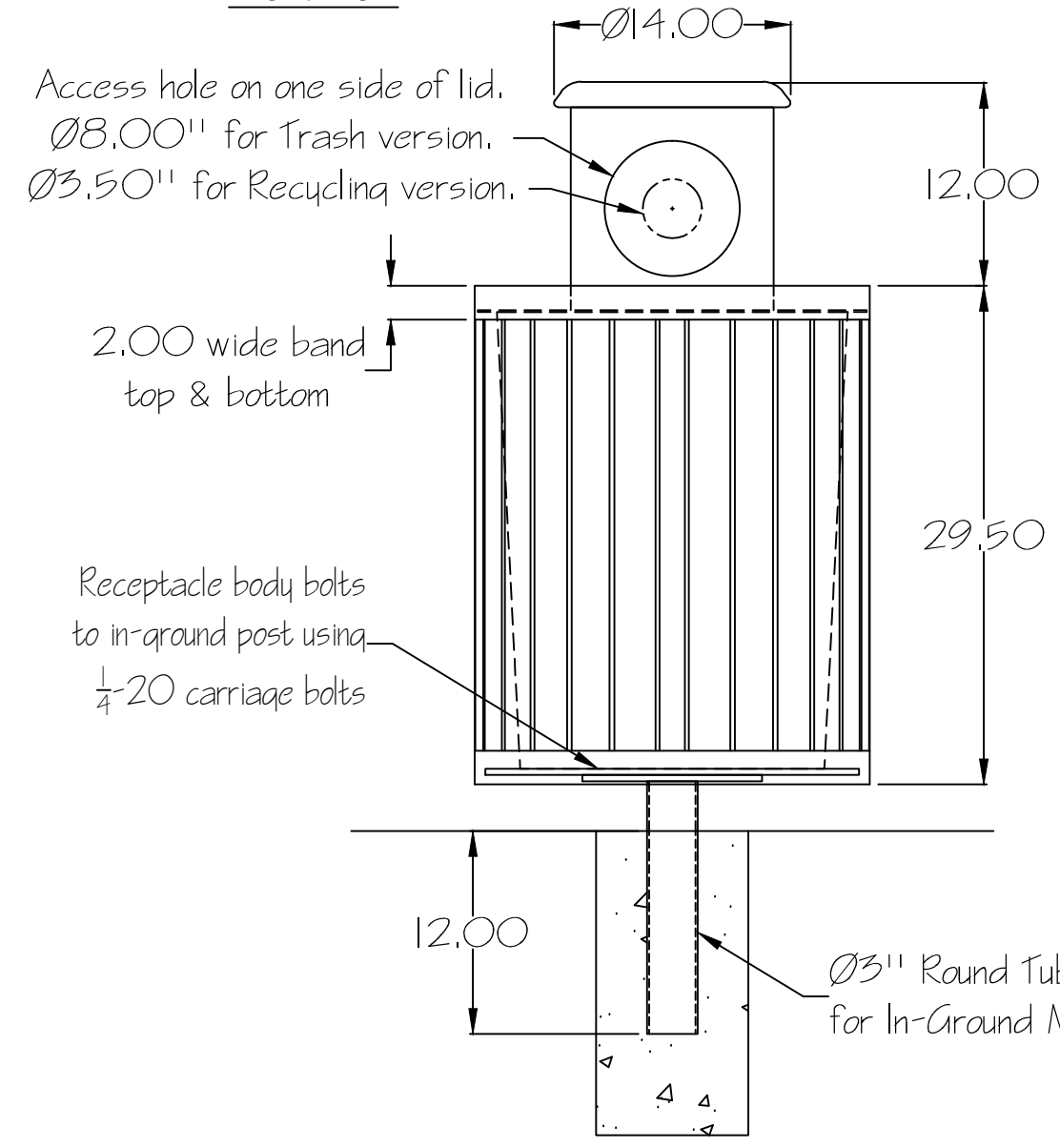


* Corrected -DL2 to -RL Lid. MC 07.23.15

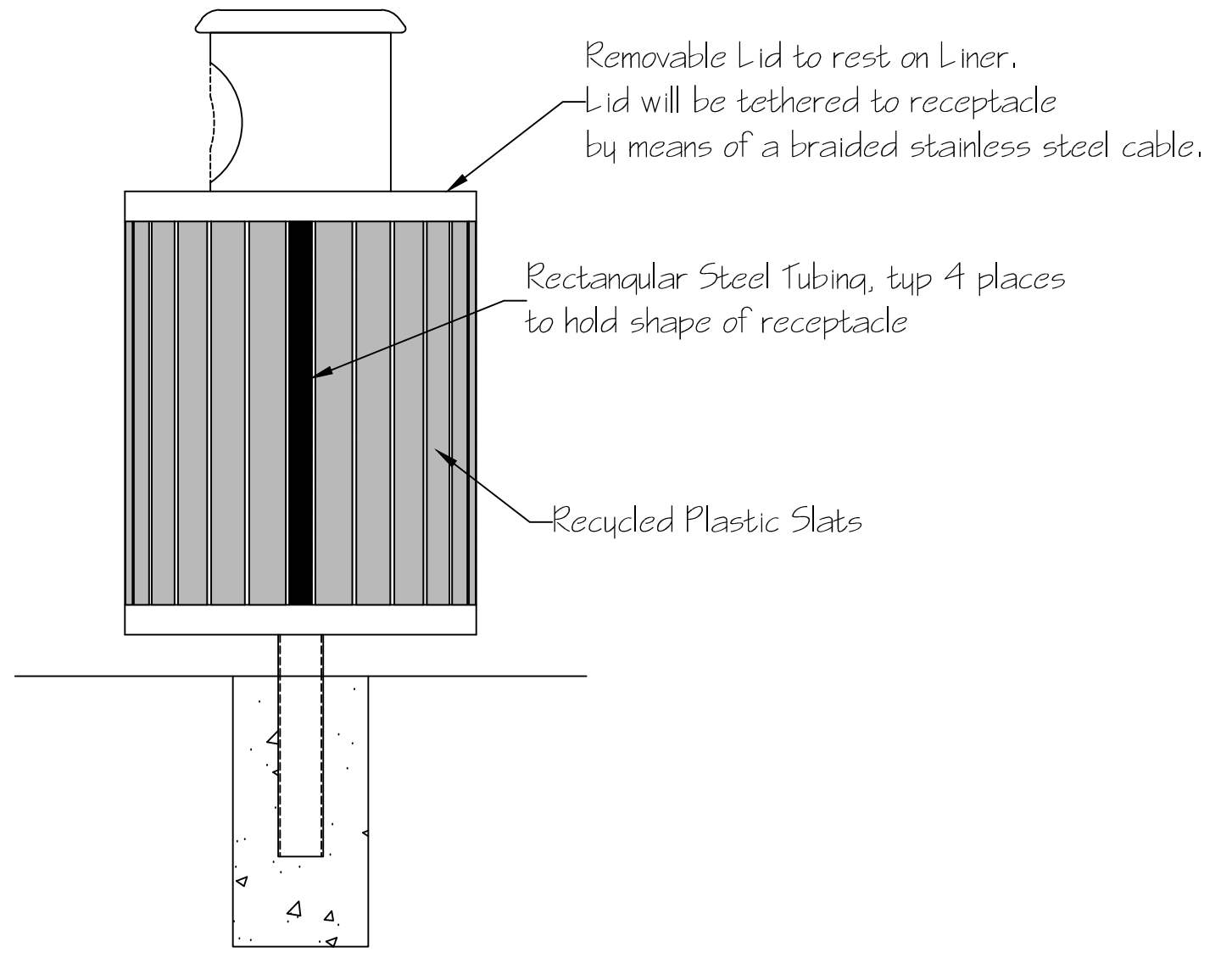
Top View



Front View



Side View



Designed for a 32 gal.
 Capacity Galvanized Liner.
 (Provided)

Rectangular Steel Tubing, typ 4 places
 to hold shape of receptacle

Recycled Plastic Slats